



THREE-PHASE POWER CONDITIONER SPECIFICATION BOOK

For use with 3-phase VAC 60 Hz systems



208, 240, or 480VAC 3-phase Delta in 208/120, 480/277 or 400/230 out 60Hz

Model No: NPT 10.0, 15.0, 20.0 and 30.0



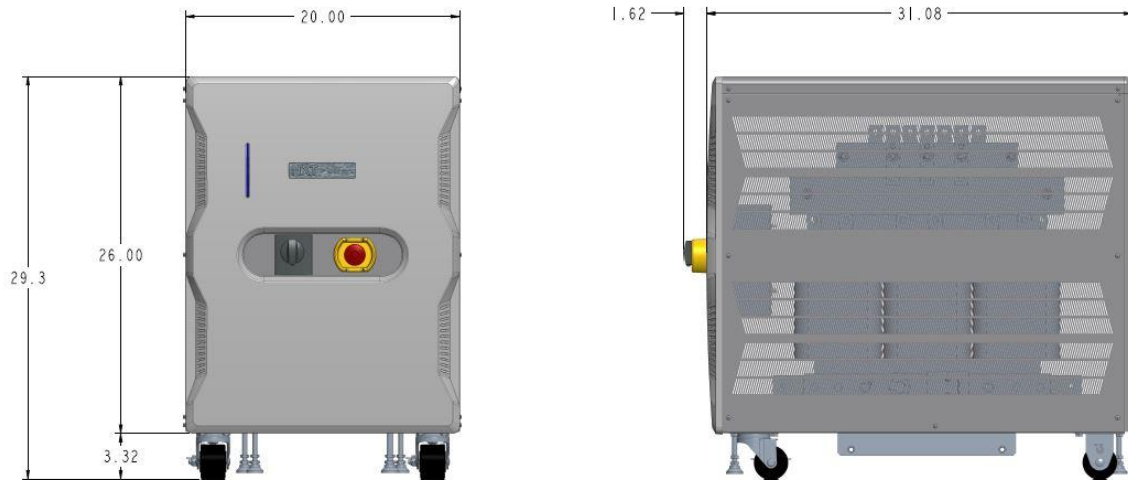
Integrity 3-phase Power Conditioner Specification

Model: NPT10.0-H-N(XXX-400/230)

Input Voltage	208, 240 or 480 VAC 3-phase delta connection
Output Voltage	400/230 3-phase wye (+/- 5% taps)
Frequency	60 Hz.
Full load Capacity	10 kVA
Output BTU at full load	690 per hour
Efficiency	>98% at full load
Surge Filtering	ATTENUATION: When an ANSI/IEEE C62.41 Category A surge is applied in either normal or common mode to the input of the unit <10.0 V normal mode and <0.5 V common mode will be produced on the output. The product employs an isolation transformer and is a separately derived system. A new neutral to ground bond is established on the output of the power conditioner.
Withstand Voltage	Power conditioner tested to withstand up to 6000 volts at 3000 amps uni-polar and ring-wave surge.
Transformer Construction	Transformer wires are aluminum and insulated with Class R materials. Windings is insulated with nomex paper before varnishing. Transformer Internal wiring is rated for a minimum of 200 degree C sleeved with Class R materials. Unit is RoHS compliant.
Unit Size H x W x D - inches (mm.)	29.3 x 20.0 x 32.7 (744 x 508 x 831)
Unit weight in lbs. (kg.)	400 (181)



Integrity 3-phase Power Conditioner Specification



Input Voltage 3-Phase	Full Load Input Current	Supply Breaker Rating	Current Interrupt Capacity of Input Circuit Breaker	Minimum Input Wire Size	Maximum Input Wire Size	Output Voltage 3-Phase Wye	Maximum Output Current	Minimum output WireSize	Maximum output Wire Size
208	29	35	25 kA	8 awg	6 awg				
240	25	30	25 kA	10 awg	6 awg	400/230	14	10 awg	4 awg
480	12	20	25kA	10 awg	6 awg				



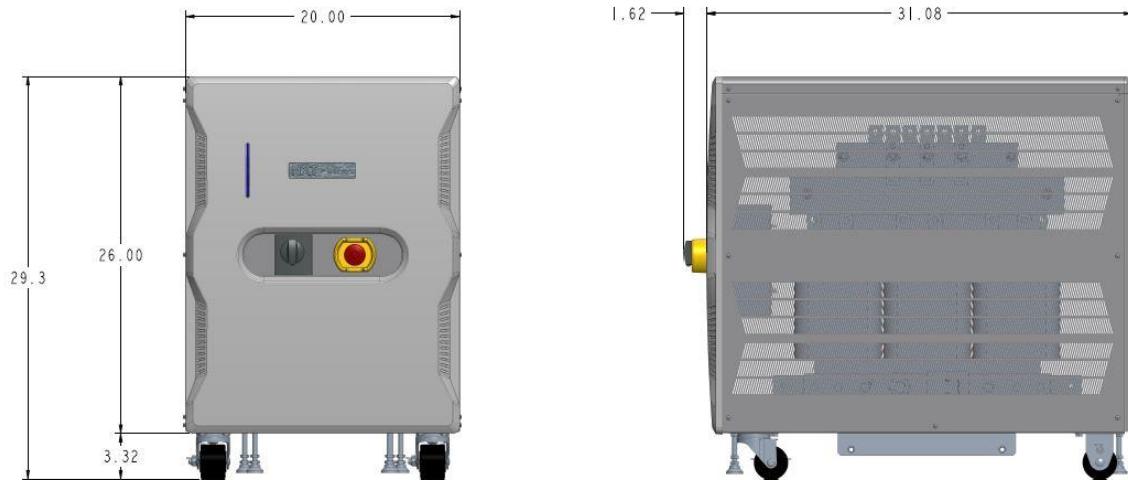
Integrity 3-phase Power Conditioner Specification

Model: NPT10.0-H-N(XXX-480/277)

Input Voltage	208, 240 or 480 VAC 3-phase delta connection
Output Voltage	480/277 3-phase wye (+/- 5% taps)
Frequency	60 Hz.
Full load Capacity	10 kVA
Output BTU at full load	690 per hour
Efficiency	>98% at full load
Surge Filtering	ATTENUATION: When an ANSI/IEEE C62.41 Category A surge is applied in either normal or common mode to the input of the unit <10.0 V normal mode and <0.5 V common mode will be produced on the output. The product employs an isolation transformer and is a separately derived system. A new neutral to ground bond is established on the output of the power conditioner.
Withstand Voltage	Power conditioner tested to withstand up to 6000 volts at 3000 amps uni-polar and ring-wave surge.
Transformer Construction	Transformer wires are aluminum and insulated with Class R materials. Windings is insulated with nomex paper before varnishing. Transformer Internal wiring is rated for a minimum of 200 degree C sleeved with Class R materials. Unit is RoHS compliant.
Unit Size H x W x D - inches (mm.)	29.3 x 20.0 x 32.7 (744 x 508 x 831)
Unit weight in lbs. (kg.)	400 (181)



Integrity 3-phase Power Conditioner Specification



Input Voltage 3-Phase	Full Load Input Current	Supply Breaker Rating	Current Interrupt Capacity of Input Circuit Breaker	Minimum Input Wire Size	Maximum Input Wire Size	Output Voltage 3-Phase Wye	Maximum Output Current	Minimum output WireSize	Maximum output Wire Size
208	29	35	25 kA	8 awg	6 awg				
240	25	30	25 kA	10 awg	6 awg	480/277	12	10 awg	4 awg
480	12	20	25kA	10 awg	6 awg				



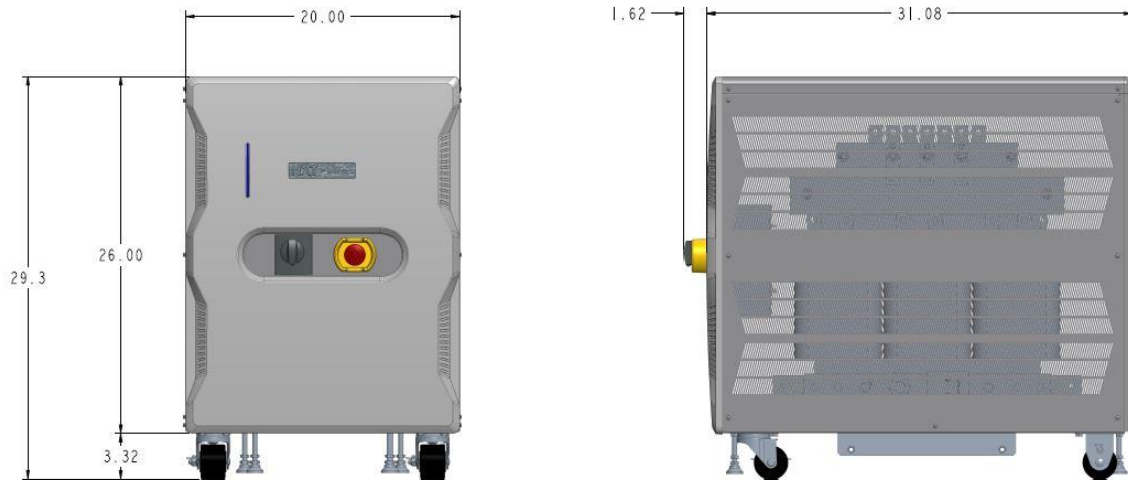
Integrity 3-phase Power Conditioner Specification

Model: NPT10.0-H-N(XXX-208/120)

Input Voltage	208, 240 or 480 VAC 3-phase delta connection
Output Voltage	208/120 3-phase wye (+/- 5% taps)
Frequency	60 Hz.
Full load Capacity	10 kVA
Output BTU at full load	690 per hour
Efficiency	>98% at full load
Surge Filtering	ATTENUATION: When an ANSI/IEEE C62.41 Category A surge is applied in either normal or common mode to the input of the unit <10.0 V normal mode and <0.5 V common mode will be produced on the output. The product employs an isolation transformer and is a separately derived system. A new neutral to ground bond is established on the output of the power conditioner.
Withstand Voltage	Power conditioner tested to withstand up to 6000 volts at 3000 amps uni-polar and ring-wave surge.
Transformer Construction	Transformer wires are aluminum and insulated with Class R materials. Windings is insulated with nomex paper before varnishing. Transformer Internal wiring is rated for a minimum of 200 degree C sleeved with Class R materials. Unit is RoHS compliant.
Unit Size H x W x D - inches (mm.)	29.3 x 20.0 x 32.7 (744 x 508 x 831)
Unit weight in lbs. (kg.)	400 (181)



Integrity 3-phase Power Conditioner Specification



Input Voltage 3-Phase	Full Load Input Current	Supply Breaker Rating	Current Interrupt Capacity of Input Circuit Breaker	Minimum Input Wire Size	Maximum Input Wire Size	Output Voltage 3-Phase Wye	Maximum Output Current	Minimum output WireSize	Maximum output Wire Size
208	29	35	25 kA	8 awg	6 awg				
240	25	30	25 kA	10awg	6 awg	208/120	28	10 awg	4 awg
480	12	20	25kA	10 awg	6 awg				



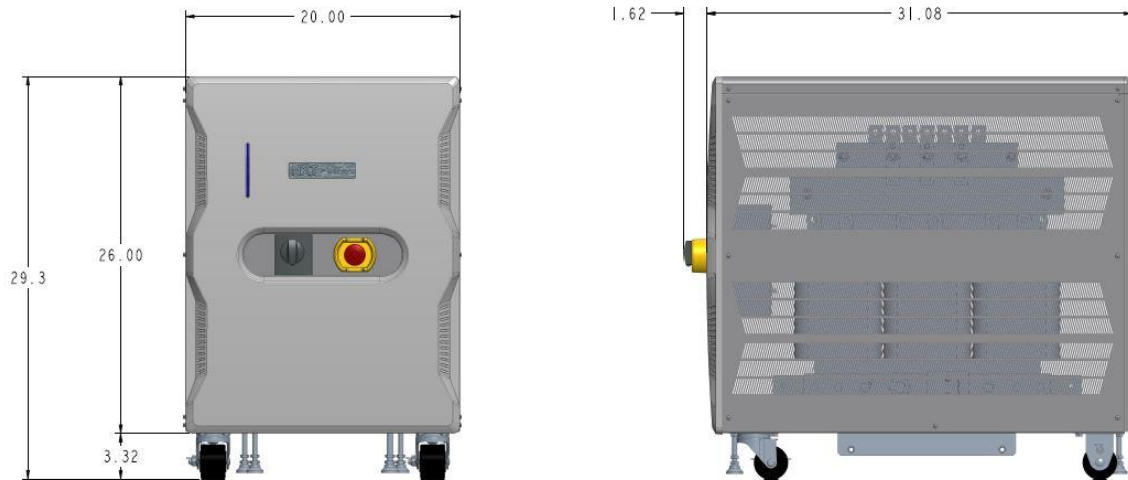
Integrity 3-phase Power Conditioner Specification

Model: NPT15.0-H-N(XXX-208/120)

Input Voltage	208, 240 or 480 VAC 3-phase delta connection
Output Voltage	208/120 3-phase wye (+/- 5% taps)
Frequency	60 Hz.
Full load Capacity	15 kVA
Output BTU at full load	1,023 per hour
Efficiency	>98% at full load
Surge Filtering	ATTENUATION: When an ANSI/IEEE C62.41 Category A surge is applied in either normal or common mode to the input of the unit <10.0 V normal mode and <0.5 V common mode will be produced on the output. The product employs an isolation transformer and is a separately derived system. A new neutral to ground bond is established on the output of the power conditioner.
Withstand Voltage	Power conditioner tested to withstand up to 6000 volts at 3000 amps uni-polar and ring-wave surge.
Transformer Construction	Transformer wires are aluminum and insulated with Class R materials. Windings is insulated with nomex paper before varnishing. Transformer Internal wiring is rated for a minimum of 200 degree C sleeved with Class R materials. Unit is RoHS compliant.
Unit Size H x W x D - inches (mm.)	29.3 x 20.0 x 32.7 (744 x 508 x 831)
Unit weight in lbs. (kg.)	490 (223)



Integrity 3-phase Power Conditioner Specification



Input Voltage 3-Phase	Full Load Input Current	Supply Breaker Rating	Current Interrupt Capacity of Input Circuit Breaker	Minimum Input Wire Size	Maximum Input Wire Size	Output Voltage 3-Phase Wye	Maximum Output Current	Minimum output WireSize	Maximum output Wire Size
208	43	50	25 kA	8 awg	6 awg				
240	37	40	25 kA	8 awg	6 awg	208/120	42	8 awg	4 awg
480	19	25	25kA	10 awg	6 awg				



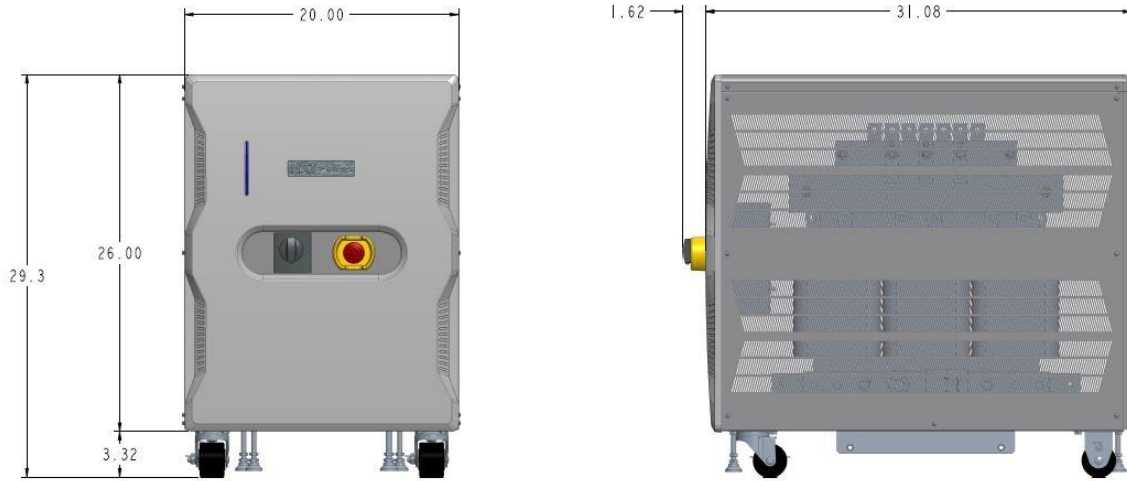
Integrity 3-phase Power Conditioner Specification

Model: NPT15.0-H-N(XXX-400/230)

Input Voltage	208, 240 or 480 VAC 3-phase delta connection
Output Voltage	400/230 3-phase wye (+/- 5% taps)
Frequency	60 Hz.
Full load Capacity	15 kVA
Output BTU at full load	1,023 per hour
Efficiency	>98% at full load
Surge Filtering	ATTENUATION: When an ANSI/IEEE C62.41 Category A surge is applied in either normal or common mode to the input of the unit <10.0 V normal mode and <0.5 V common mode will be produced on the output. The product employs an isolation transformer and is a separately derived system. A new neutral to ground bond is established on the output of the power conditioner.
Withstand Voltage	Power conditioner tested to withstand up to 6000 volts at 3000 amps uni-polar and ring-wave surge.
Transformer Construction	Transformer wires are aluminum and insulated with Class R materials. Windings is insulated with nomex paper before varnishing. Transformer Internal wiring is rated for a minimum of 200 degree C sleeved with Class R materials. Unit is RoHS compliant.
Unit Size H x W x D - inches (mm.)	29.3 x 20.0 x 32.7 (744 x 508 x 831)
Unit weight in lbs. (kg.)	490 (223)



Integrity 3-phase Power Conditioner Specification



Input Voltage 3-Phase	Full Load Input Current	Supply Breaker Rating	Current Interrupt Capacity of Input Circuit Breaker	Minimum Input Wire Size	Maximum Input Wire Size	Output Voltage 3-Phase Wye	Maximum Output Current	Minimum output WireSize	Maximum output Wire Size
208	43	50	25 kA	8 awg	6 awg				
240	37	40	25 kA	8 awg	6 awg	400/230	22	10 awg	4 awg
480	19	25	25kA	10 awg	6 awg				



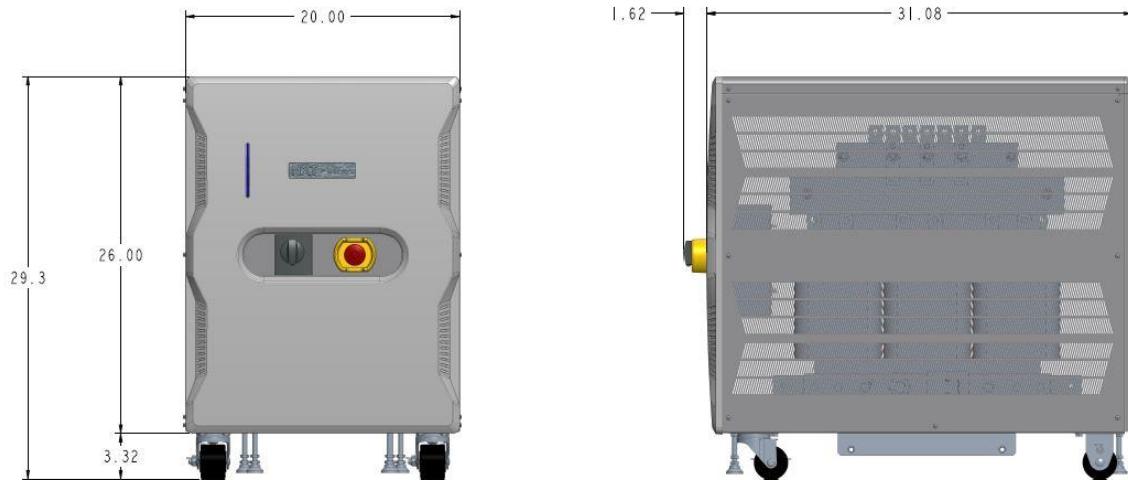
Integrity 3-phase Power Conditioner Specification

Model: NPT15.0-H-N(XXX-480/277)

Input Voltage	208, 240 or 480 VAC 3-phase delta connection
Output Voltage	480/277 3-phase wye (+/- 5% taps)
Frequency	60 Hz.
Full load Capacity	15 kVA
Output BTU at full load	1,023 per hour
Efficiency	>98% at full load
Surge Filtering	ATTENUATION: When an ANSI/IEEE C62.41 Category A surge is applied in either normal or common mode to the input of the unit <10.0 V normal mode and <0.5 V common mode will be produced on the output. The product employs an isolation transformer and is a separately derived system. A new neutral to ground bond is established on the output of the power conditioner.
Withstand Voltage	Power conditioner tested to withstand up to 6000 volts at 3000 amps uni-polar and ring-wave surge.
Transformer Construction	Transformer wires are aluminum and insulated with Class R materials. Windings is insulated with nomex paper before varnishing. Transformer Internal wiring is rated for a minimum of 200 degree C sleeved with Class R materials. Unit is RoHS compliant.
Unit Size H x W x D - inches (mm.)	29.3 x 20.0 x 32.7 (744 x 508 x 831)
Unit weight in lbs. (kg.)	490 (223)



Integrity 3-phase Power Conditioner Specification



Input Voltage 3-Phase	Full Load Input Current	Supply Breaker Rating	Current Interrupt Capacity of Input Circuit Breaker	Minimum Input Wire Size	Maximum Input Wire Size	Output Voltage 3-Phase Wye	Maximum Output Current	Minimum output WireSize	Maximum output Wire Size
208	43	50	25 kA	8 awg	6 awg				
240	37	40	25 kA	8 awg	6 awg	480/277	18	10 awg	6 awg
480	19	25	25kA	10 awg	6 awg				



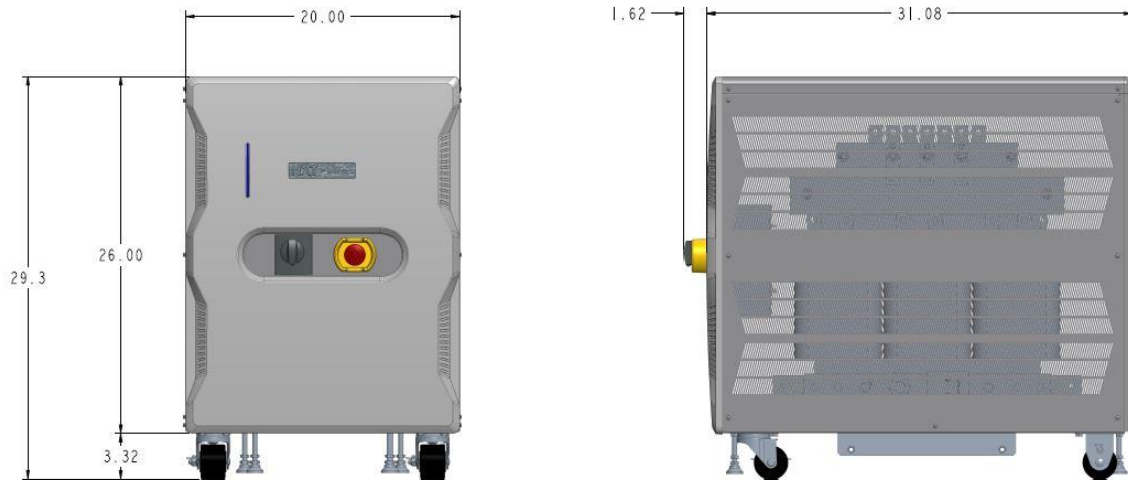
Integrity 3-phase Power Conditioner Specification

Model: NPT20.0-H-N(XXX-208/120)

Input Voltage	208, 240 or 480 VAC 3-phase delta connection
Output Voltage	208/120 3-phase wye (+/- 5% taps)
Frequency	60 Hz.
Full load Capacity	20 kVA
Output BTU at full load	1,370 per hour
Efficiency	>98% at full load
Surge Filtering	ATTENUATION: When an ANSI/IEEE C62.41 Category A surge is applied in either normal or common mode to the input of the unit <10.0 V normal mode and <0.5 V common mode will be produced on the output. The product employs an isolation transformer and is a separately derived system. A new neutral to ground bond is established on the output of the power conditioner.
Withstand Voltage	Power conditioner tested to withstand up to 6000 volts at 3000 amps uni-polar and ring-wave surge.
Transformer Construction	Transformer wires are aluminum and insulated with Class R materials. Windings is insulated with nomex paper before varnishing. Transformer Internal wiring is rated for a minimum of 200 degree C sleeved with Class R materials. Unit is RoHS compliant.
Unit Size H x W x D - inches (mm.)	29.3 x 20.0 x 32.7 (744 x 508 x 831)
Unit weight in lbs. (kg.)	510 (231)



Integrity 3-phase Power Conditioner Specification



Input Voltage 3-Phase	Full Load Input Current	Supply Breaker Rating	Current Interrupt Capacity of Input Circuit Breaker	Minimum Input Wire Size	Maximum Input Wire Size	Output Voltage 3-Phase Wye	Maximum Output Current	Minimum output WireSize	Maximum output Wire Size
208	57	60	25 kA	4 awg	2 awg				
240	50	60	25 kA	6 awg	2 awg	208/120	56	6 awg	2 awg
480	25	30	25kA	10 awg	2 awg				



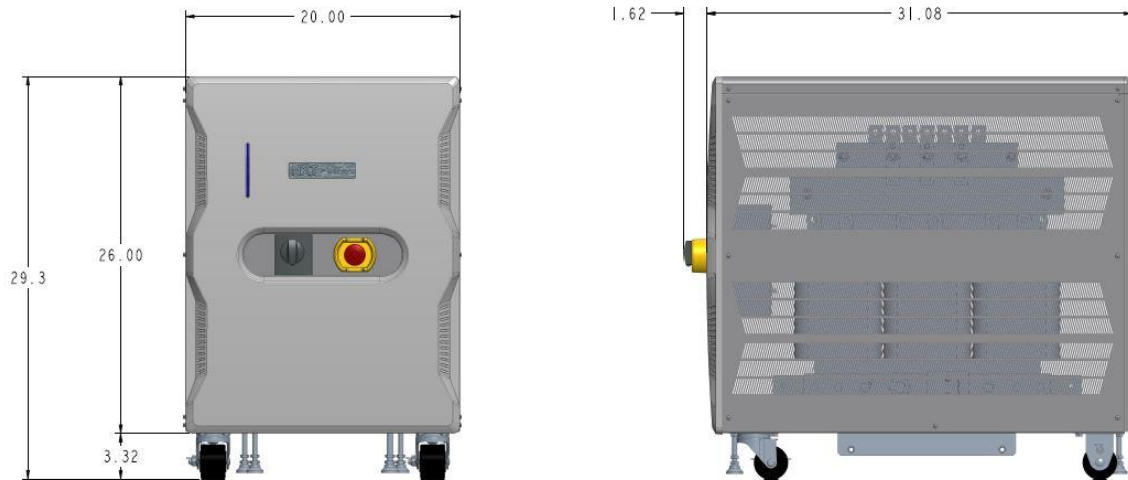
Integrity 3-phase Power Conditioner Specification

Model: NPT20.0-H-N(XXX-400/230)

Input Voltage	208, 240 or 480 VAC 3-phase delta connection
Output Voltage	400/230 3-phase wye (+/- 5% taps)
Frequency	60 Hz.
Full load Capacity	20 kVA
Output BTU at full load	1,370 per hour
Efficiency	>98% at full load
Surge Filtering	ATTENUATION: When an ANSI/IEEE C62.41 Category A surge is applied in either normal or common mode to the input of the unit <10.0 V normal mode and <0.5 V common mode will be produced on the output. The product employs an isolation transformer and is a separately derived system. A new neutral to ground bond is established on the output of the power conditioner.
Withstand Voltage	Power conditioner tested to withstand up to 6000 volts at 3000 amps uni-polar and ring-wave surge.
Transformer Construction	Transformer wires are aluminum and insulated with Class R materials. Windings is insulated with nomex paper before varnishing. Transformer Internal wiring is rated for a minimum of 200 degree C sleeved with Class R materials. Unit is RoHS compliant.
Unit Size H x W x D - inches (mm.)	29.3 x 20.0 x 32.7 (744 x 508 x 831)
Unit weight in lbs. (kg.)	510 (231)



Integrity 3-phase Power Conditioner Specification



Input Voltage 3-Phase	Full Load Input Current	Supply Breaker Rating	Current Interrupt Capacity of Input Circuit Breaker	Minimum Input Wire Size	Maximum Input Wire Size	Output Voltage 3-Phase Wye	Maximum Output Current	Minimum output WireSize	Maximum output Wire Size
208	57	60	25 kA	4 awg	2 awg				
240	50	60	25 kA	6 awg	2 awg	400/230	29	10 awg	2 awg
480	25	30	25kA	10 awg	2 awg				



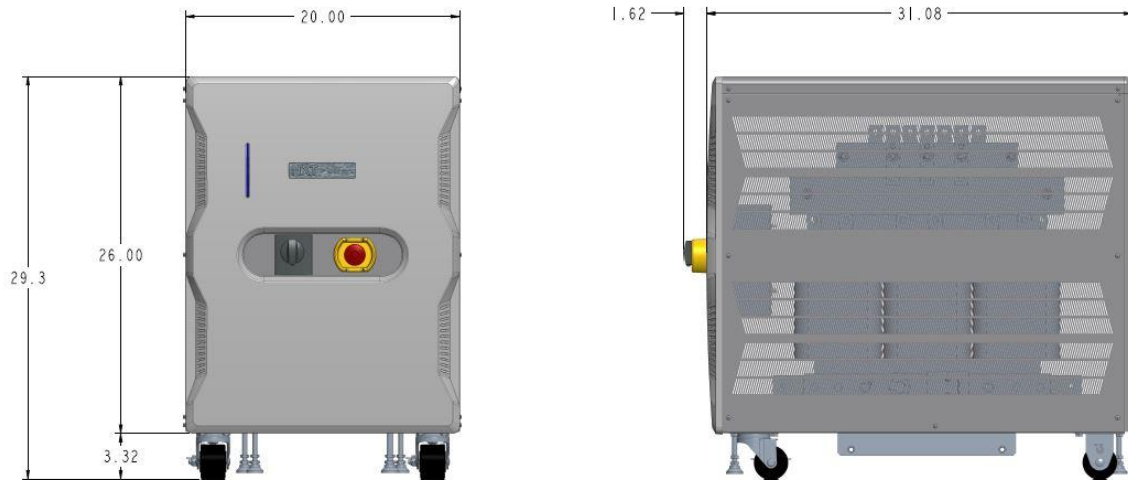
Integrity 3-phase Power Conditioner Specification

Model: NPT20.0-H-N(XXX-480/277)

Input Voltage	208, 240 or 480 VAC 3-phase delta connection
Output Voltage	480/277 3-phase wye (+/- 5% taps)
Frequency	60 Hz.
Full load Capacity	20 kVA
Output BTU at full load	1,370 per hour
Efficiency	>98% at full load
Surge Filtering	ATTENUATION: When an ANSI/IEEE C62.41 Category A surge is applied in either normal or common mode to the input of the unit <10.0 V normal mode and <0.5 V common mode will be produced on the output. The product employs an isolation transformer and is a separately derived system. A new neutral to ground bond is established on the output of the power conditioner.
Withstand Voltage	Power conditioner tested to withstand up to 6000 volts at 3000 amps uni-polar and ring-wave surge.
Transformer Construction	Transformer wires are aluminum and insulated with Class R materials. Windings is insulated with nomex paper before varnishing. Transformer Internal wiring is rated for a minimum of 200 degree C sleeved with Class R materials. Unit is RoHS compliant.
Unit Size H x W x D - inches (mm.)	29.3 x 20.0 x 32.7 (744 x 508 x 831)
Unit weight in lbs. (kg.)	510 (231)



Integrity 3-phase Power Conditioner Specification



Input Voltage 3-Phase	Full Load Input Current	Supply Breaker Rating	Current Interrupt Capacity of Input Circuit Breaker	Minimum Input Wire Size	Maximum Input Wire Size	Output Voltage 3-Phase Wye	Maximum Output Current	Minimum output WireSize	Maximum output Wire Size
208	57	60	25 kA	4 awg	2 awg				
240	50	60	25 kA	6 awg	2 awg	480/277	24	10 awg	2 awg
480	25	30	25kA	10 awg	2 awg				



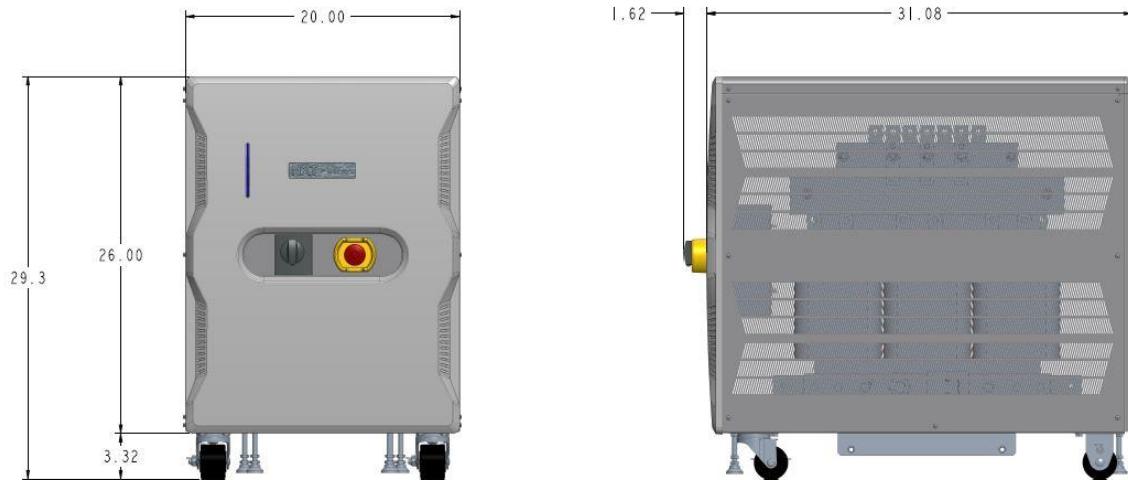
Integrity 3-phase Power Conditioner Specification

Model: NPT30.0-H-N(XXX-208/120)

Input Voltage	208, 240 or 480 VAC 3-phase delta connection
Output Voltage	208/120 3-phase wye (+/- 5% taps)
Frequency	60 Hz.
Full load Capacity	30 kVA
Output BTU at full load	2,100 per hour
Efficiency	>98% at full load
Surge Filtering	ATTENUATION: When an ANSI/IEEE C62.41 Category A surge is applied in either normal or common mode to the input of the unit <10.0 V normal mode and <0.5 V common mode will be produced on the output. The product employs an isolation transformer and is a separately derived system. A new neutral to ground bond is established on the output of the power conditioner.
Withstand Voltage	Power conditioner tested to withstand up to 6000 volts at 3000 amps uni-polar and ring-wave surge.
Transformer Construction	Transformer wires are aluminum and insulated with Class R materials. Windings is insulated with nomex paper before varnishing. Transformer Internal wiring is rated for a minimum of 200 degree C sleeved with Class R materials. Unit is RoHS compliant.
Unit Size H x W x D - inches (mm.)	29.3 x 20.0 x 32.7 (744 x 508 x 831)
Unit weight in lbs. (kg.)	650 (295)



Integrity 3-phase Power Conditioner Specification



Input Voltage 3-Phase	Full Load Input Current	Supply Breaker Rating	Current Interrupt Capacity of Input Circuit Breaker	Minimum Input Wire Size	Maximum Input Wire Size	Output Voltage 3-Phase Wye	Maximum Output Current	Minimum output WireSize	Maximum output Wire Size
208	86	90	25 kA	2 awg	1 awg	208/120	83	4 awg	2 awg
240	74	80	25 kA	4 awg	1 awg				
480	37	40	25kA	8 awg	2 awg				



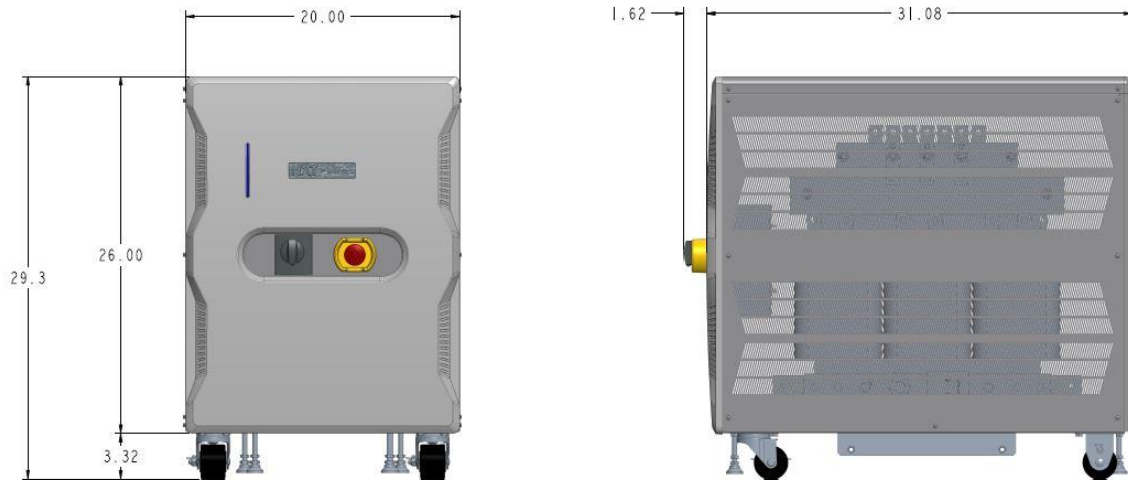
Integrity 3-phase Power Conditioner Specification

Model: NPT30.0-H-N(XXX-400/230)

Input Voltage	208, 240 or 480 VAC 3-phase delta connection
Output Voltage	400/230 3-phase wye (+/- 5% taps)
Frequency	60 Hz.
Full load Capacity	30 kVA
Output BTU at full load	2,100 per hour
Efficiency	>98% at full load
Surge Filtering	ATTENUATION: When an ANSI/IEEE C62.41 Category A surge is applied in either normal or common mode to the input of the unit <10.0 V normal mode and <0.5 V common mode will be produced on the output. The product employs an isolation transformer and is a separately derived system. A new neutral to ground bond is established on the output of the power conditioner.
Withstand Voltage	Power conditioner tested to withstand up to 6000 volts at 3000 amps uni-polar and ring-wave surge.
Transformer Construction	Transformer wires are aluminum and insulated with Class R materials. Windings is insulated with nomex paper before varnishing. Transformer Internal wiring is rated for a minimum of 200 degree C sleeved with Class R materials. Unit is RoHS compliant.
Unit Size H x W x D - inches (mm.)	29.3 x 20.0 x 32.7 (744 x 508 x 831)
Unit weight in lbs. (kg.)	650 (295)



Integrity 3-phase Power Conditioner Specification



Input Voltage 3-Phase	Full Load Input Current	Supply Breaker Rating	Current Interrupt Capacity of Input Circuit Breaker	Minimum Input Wire Size	Maximum Input Wire Size	Output Voltage 3-Phase Wye	Maximum Output Current	Minimum output WireSize	Maximum output Wire Size
208	86	90	25 kA	2 awg	1 awg	400/230	43	8 awg	4 awg
240	75	80	25 kA	4 awg	1 awg				
480	37	40	25kA	8 awg	2 awg				



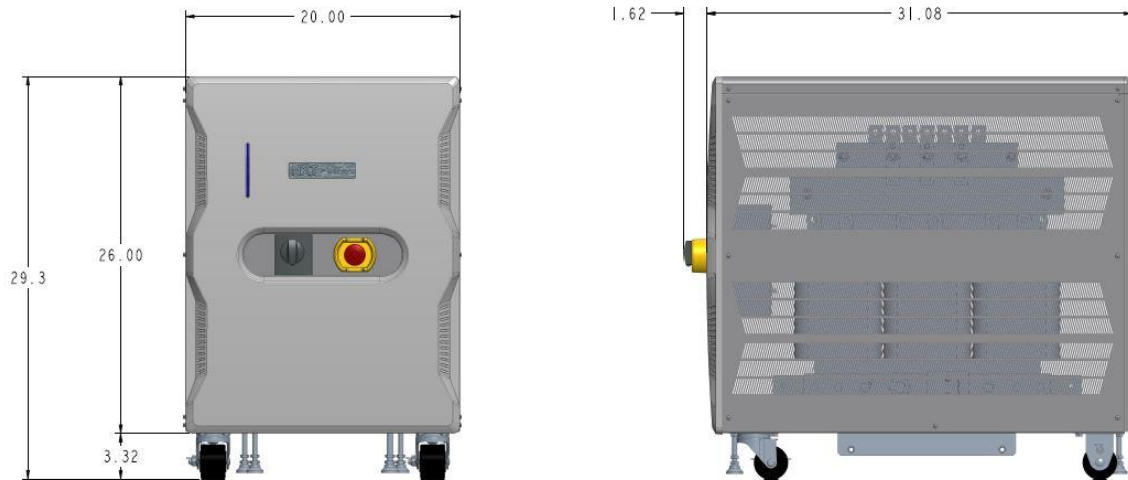
Integrity 3-phase Power Conditioner Specification

Model: NPT30.0-H-N(XXX-480/277)

Input Voltage	208, 240 or 480 VAC 3-phase delta connection
Output Voltage	480/277 3-phase wye (+/- 5% taps)
Frequency	60 Hz.
Full load Capacity	30 kVA
Output BTU at full load	2,100 per hour
Efficiency	>98% at full load
Surge Filtering	ATTENUATION: When an ANSI/IEEE C62.41 Category A surge is applied in either normal or common mode to the input of the unit <10.0 V normal mode and <0.5 V common mode will be produced on the output. The product employs an isolation transformer and is a separately derived system. A new neutral to ground bond is established on the output of the power conditioner.
Withstand Voltage	Power conditioner tested to withstand up to 6000 volts at 3000 amps uni-polar and ring-wave surge.
Transformer Construction	Transformer wires are aluminum and insulated with Class R materials. Windings is insulated with nomex paper before varnishing. Transformer Internal wiring is rated for a minimum of 200 degree C sleeved with Class R materials. Unit is RoHS compliant.
Unit Size H x W x D - inches (mm.)	29.3 x 20.0 x 32.7 (744 x 508 x 831)
Unit weight in lbs. (kg.)	650 (295)



Integrity 3-phase Power Conditioner Specification



Input Voltage 3-Phase	Full Load Input Current	Supply Breaker Rating	Current Interrupt Capacity of Input Circuit Breaker	Minimum Input Wire Size	Maximum Input Wire Size	Output Voltage 3-Phase Wye	Maximum Output Current	Minimum output WireSize	Maximum output Wire Size
208	86	90	25 kA	2 awg	1 awg				
240	74	80	25 kA	4 awg	1 awg	480/277	36	8 awg	6 awg
480	37	40	25kA	8 awg	2 awg				