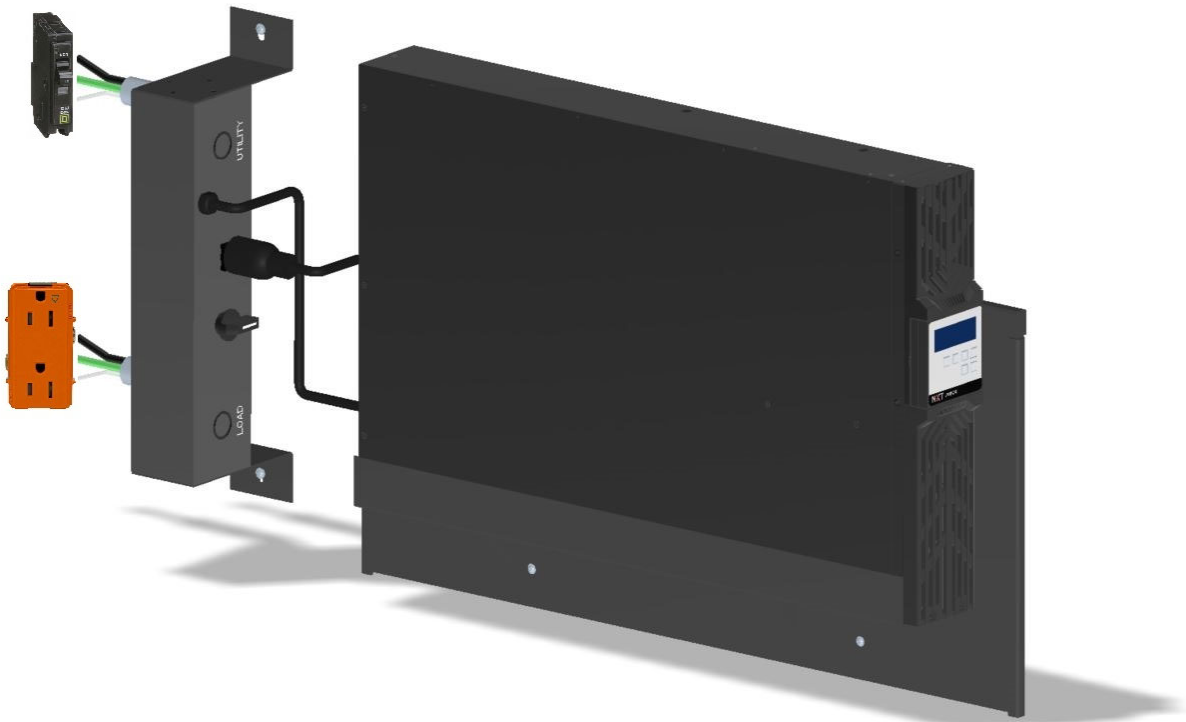




POWER-HUB 1500 USER MANUAL INSTALLATION GUIDE



Model Numbers PH1500

TABLE OF CONTENTS

1.0 – INTRODUCTION	2
2.0 – SAFETY GUIDELINES	2
3.0 –INSPECTION	3
4.0 – INSTALLATION	4
5.0 – WARRANTY	8
6.0 – CONTACT US	9








1.0 INTRODUCTION

Thank You

Thank you for purchasing a **NXT POWER** Hub. This Product will allow the installer to distribute the isolated online backup power to a dedicated circuit to ensure the cleanest power is provided to the critical load. The Power-HUB will also allow the installer to bypass the UPS if required to ensure the critical load is kept running.

This exclusive **NXT POWER** product you have purchased protects and provides clean power to your system. We have prepared this document to help familiarize you with the functions and controls of the product. If you have any additional questions after reviewing this manual, please contact our technical support team by phone (877-NXT-POWER) or email us at service@nxtpower.com.

2.0 SAFETY GUIDELINES

Symbol	Description
	DANGER - High risk hazard that could, if not avoided, can result in serious injury or death.
	WARNING - Medium or low risk hazard that could, if not avoided, can result in moderate or minor injury.
	CAUTION - Potentially hazardous situation that could, if not avoided, result in equipment damage, data loss, performance deterioration, or unanticipated results.
	ANTI-STATIC PROMPTING – Observe precautions for handling.
	RISK OF ELECTRIC SHOCK - Direct contact with exposed energized conductors or circuit parts may result in electric shock.
	TIP - Provides useful information that may help you solve a problem or save time.
	Unit is heavy and 2-person lift is required

3.0 Inspection



WARNING

Before Installation: Inspect the UPS and Power Hub for any physical damage. If any damage is visible do not use the equipment and contact the seller immediately.



CAUTION

Environmental Conditions: The **NXT POWER** products is designed only for installation in an indoor, temperature and humidity-controlled environment. Install the UPS and Power Hub away from heat, moisture, and dust sources.



WARNING



TIP



2-person lift

Ensure the unit has a minimum of 3 inches (75mm) of clearance on the front and back of the UPS. Do not block any of the air vents or place objects next to or on top of the unit.

Place the **NXT POWER** products as close to the load equipment/electronic devices as possible. Plug in all electrical devices that you would like to protect from electrical noise into the power conditioner. Ensure the UPS is not overloaded. This can be done by making sure the UPS is not loaded above its maximum rating (please see rating label of the unit for power information). If you have any questions regarding the rating of the unit, please contact the seller.

UPS Voltage and Power Rating: It is important to choose the correct UPS for your application. In this manual you will find the voltage and power rating information for the model UPS you have. Ensure the power conditioner is correctly rated for your application. If you have any questions in this regard, contact the seller.



RISK OF ELECTRIC SHOCK

About the NXT Power HUB: The Power Hub is in a hard-wired configuration and must only be installed by a qualified electrician. All local, national and local electrical codes must be followed.

The Next Power Hub 1500 is designed to be connected to a 120 VAC 15-amp circuit only. The maximum current draw from this circuit must not exceed 12.0 amps.



It is important that the UPS input voltage match the supply voltage. UPS and load equipment can be damaged if the voltage is not configured correctly. If you have any questions regarding voltage configuration or are unsure as to the voltage available, contact the seller or a qualified electrician.

4.0 INSTALLATION

Installation Instructions (Power Hub):



CAUTION

- 1) Determine the circuit that is going to be protected and powered by the Power Hub (15 A 120 VAC single pole.) Take a current reading of the fully loaded circuit to make sure the load is less than 12.0 amps.
- 2) Locate a space near the electrical panel that has the adequate area to install the UPS and Power Hub. (See drawing below for minimum space required).
- 3) The Rear of the UPS must be located within 4.0 ft of the Power Hub.
- 4) Install the top and bottom brackets to the Power Hub as shown below.
- 5) Using #10 grade 2 lag bolts install the Power Hub to the location determined earlier.
- 6) Wire the 120 VAC 15 amp circuit from the panel to the "UTILITY" side of the Power hub. (Make sure the circuit breaker is turned off. Take a voltage measurement to ensure voltage is off). You can gain access to the terminal block inside the Power Hub by removing the two screws that secure the access panel. (Keep these screws as they will be used to reinstall the access panel. Do not connect a Ground Fault Circuit Interrupt "GFCI" breaker to the Power Hub.
- 7) Using conduit or flexible conduit run minimum 14 awg Line, Neutral and Ground to the "UTILITY" side of the Power Hub terminal Block. This Terminal Block is marked "L", "N" and 
- 8) Using conduit or flexible conduit run minimum 14 awg Line, Neutral and Ground to the "Load" side of the Power Hub terminal Block. This Terminal Block is marked "L", "N" and . Rout this circuit to the desired load location.

Installation Instructions (NPTU1500-OR-N UPS):

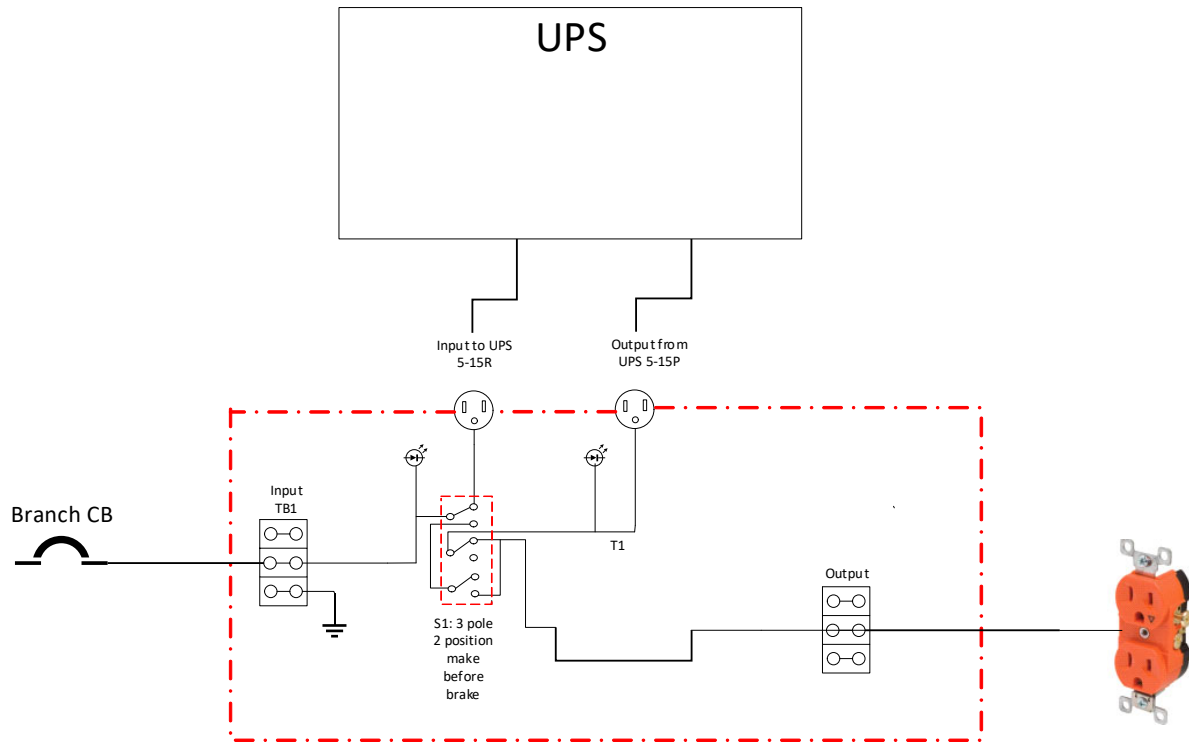


CAUTION

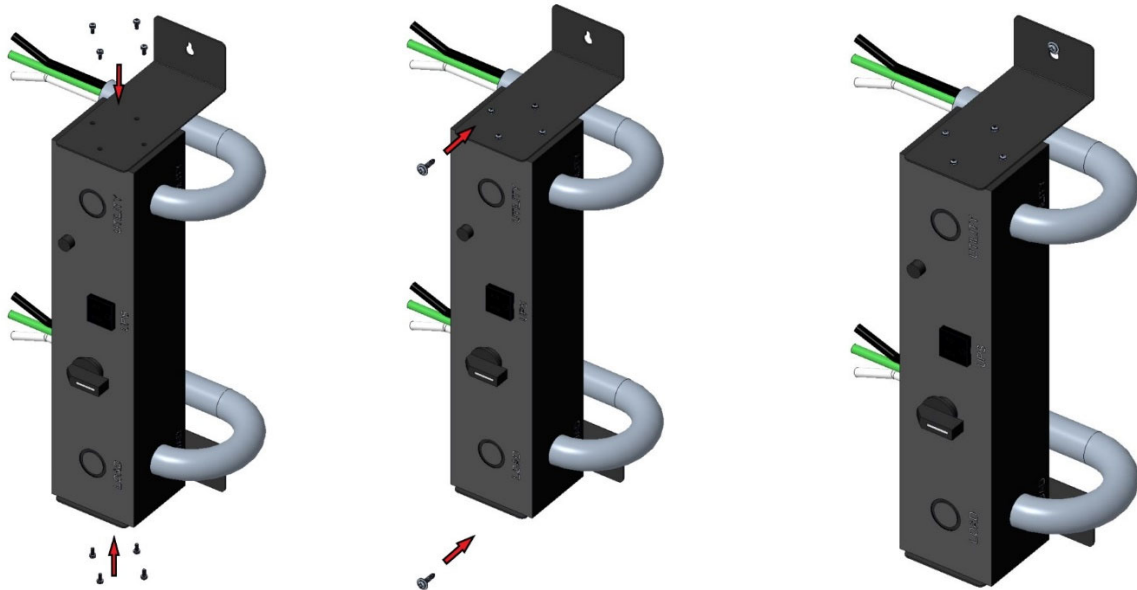
- 1) Locate a space near the electrical panel that has the adequate area to install the UPS. The rear input output section of the UPS must be located within 4.0 ft of the Power Hub. The Power Hub line cord must easily plug into the UPS.
- 2) Install the UPS bracket using 3/8" grade 5 lag screws. Make sure the screws can hold up a weight of 100 lbs.
- 3) Attach the internal UPS batteries to the UPS. (Use the instructions that is included with the UPS to accomplish this).
- 4) Once the UPS bracket is installed and very secure. With the help of a second person place the NPTU1500-OR-N ups into the bracket. Line up the bracket and UPS screw holes located on the bottom of the UPS and bracket. With the included screws secure the UPS to the bracket.
- 5) Plug the UPS Into the Power Hub outlet Marked "CONNECT UPS LINE CORD HERE".
- 6) Plug the Power Hub Line cord marked "UPS" to any of the open outlets on the rear of the UPS.
- 7) Make sure the Power Hub switch is set to Utility.
- 8) Double check all wiring, and line cords are plugged in and secure.
- 9) Turn on the branch circuit breaker powering the Power Hub Circuit.
- 10) Turn on the NPTU1500-OR-N UPS by pressing the "ON" button of the UPS.
- 11) Once the UPS has output turn the Power Hub switch to the "UPS" position.
- 12) Test the power at the load outlet and verify voltage. Once verified the load is ready to be plugged in.

The Power hub can now be utilized as a bypass switch if required. This bypass function should only be used if the UPS is faulty or requires maintenance.

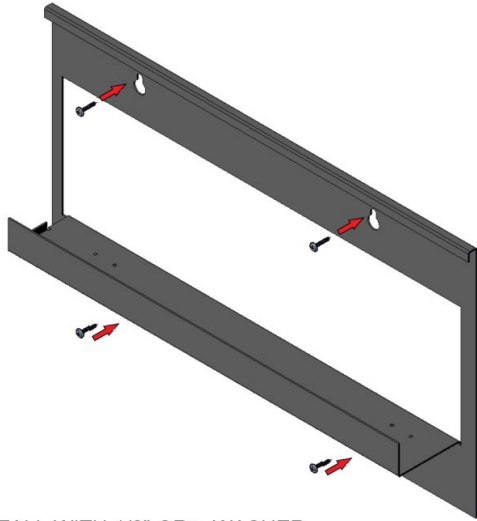
Block Diagram



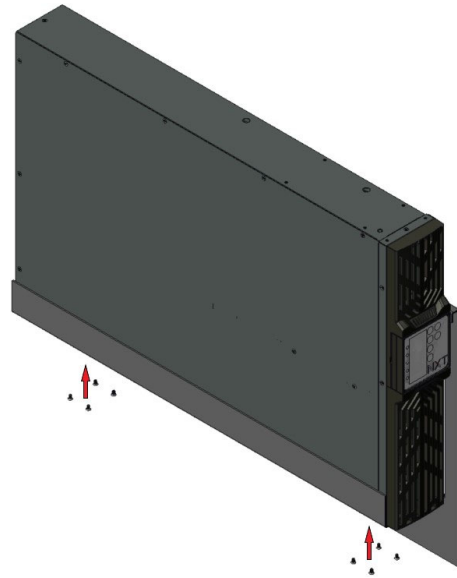
Power Hub Installation



NPTU1500-OR-N bracket and UPS Installation:

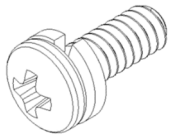


INSTALL WITH 1/2" OR > WASHER

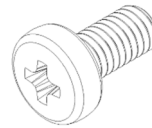


Hardware included in the Power Hub kit

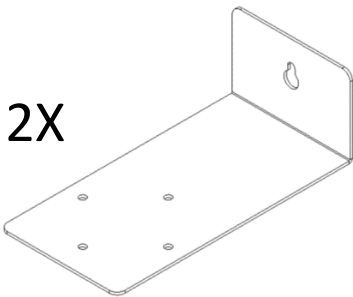
8X



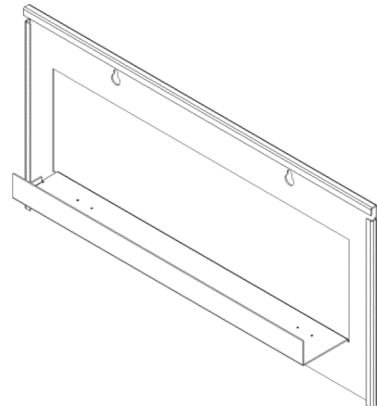
8X



2X



1X



4.0 WARRANTY

General Warranty

NXT POWER Power Hub (hereafter referred to as “Product”) are warranted to be free from defects in material and workmanship for five (3) years from date of shipment from **NXT POWER** on the chassis and electronic components. This warranty is limited to repairing, replacing, or refurbishing at **NXT POWER’s** discretion, any defective component, circuit board or module within the Product. For single phase products located anywhere, this warranty is limited to **NXT POWER** depot service. For three phase Products located in the continental United States and Canada, this warranty will include, at **NXT POWER’s** sole discretion, on-site service, or **NXT POWER** depot service. For locations other than those specified herein, this warranty is limited to parts only. See the Limitations of Warranty section below for additional limitations and exclusions.

Limitations of Warranty

This limited warranty does not cover any losses or damage resulting from shipment to or from the Customer, or from improper installation, improper application, inappropriate environment, abuse, neglect, unauthorized modifications, adjustments, or repair of the Product. Additionally, any costs related to installation or de-installation of the Product for the purpose of replacement or servicing will be the Customers sole responsibility. **NXT POWER** makes no warranties, expressed or implied, of merchantability, fitness for a particular purpose, performance, condition, capacity, or otherwise. **NXT POWER** is not liable for incidental or consequential damages, monetary loss, loss of sales, or loss of business resulting from the failure or malfunction of the Product. Warranty is void on Product where evidence of tampering exists. See full product warranty statement for complete warranty details.

All warranty services will be performed during **NXT POWER** normal, non-holiday business hours (Monday through Friday, 8:00 AM – 5:00 PM CST). Any service required by Customer to be performed outside of normal business hours will be subject to **NXT POWER** prevailing labor rates.

NXT *POWER*

7051 W Wilson Ave,
Harwood Heights, IL 60706

1070 South Northpoint Blvd. (unit D)
Waukegan, IL 60085

(P) 877-698-7697

(F) 708-457-2266

(E) service@nxtpower.com

Access additional product and support via our website

<https://www.nxtpower.com>



022-00160 5/2024 REV. B,— User manual 1500VA NXT Power Hub