

**NOTES:**

- 1 USE U0002G GROUND LABEL FROM DOCUMENT # U0002G-0812 IN MDF "LABELS" FILE
- 2 CUT AND LAMINATE LABELS FROM DOCUMENT: XSR3-130-3SW-GE-L-0717 AND PLACE WHERE INDICATED
- 3 OPEN UP 4 MOUNTING HOLES ON SOL. LOCK ASSY. TO 0.25" USE 10-32 x 2.75" SCREWS
- 4 SEE NYLON ROD AND STOCK PARTS DETAIL ATTACH MACHINED STOCK TO SIDE WALL WITH 10/32 SCREWS

PART NUMBER  
**XSR3-130-3SW-GE**

**TECH CONNECT SYSTEMS**  
Keeping UPS up!

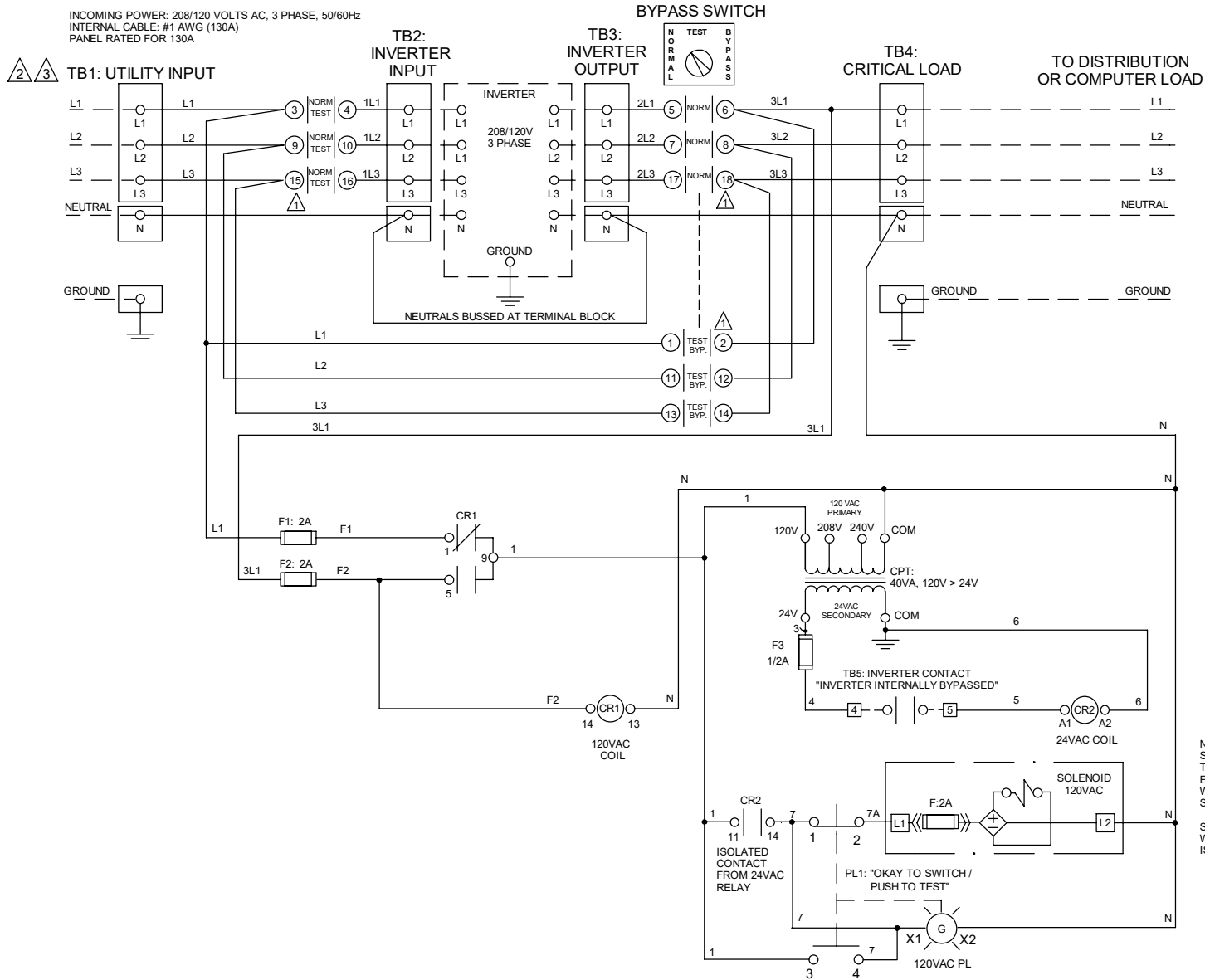
597 N. 1250 West #1  
Centerville, UT 84014  
Phone: 801-298-9087  
Fax: 801-298-9031  
www.upsbypass.com

DESCRIPTION 208/120V, 3PH, 3P, 50/60Hz, 130A, ISOLATION TYPE BYPASS PANEL SOLENOID LOCKOUT, 24VAC/120VAC CONTROL CKT. DIMENSIONAL DIAGRAM

DRAWN BY: MFN DATE: 07/10/17 APPROVAL: D.U. DATE: 07/10/17

REV.	DATE:	DESC.:	APPR.:
REV. A:			
REV. B:			
REV. C:			
REV. D:			
REV. E:			
DRAWING NO:		XSR3-130-3SW-GE-D-0717 SH 1 of 2	

INCOMING POWER: 208/120 VOLTS AC, 3 PHASE, 50/60Hz  
 INTERNAL CABLE: #1 AWG (130A)  
 PANEL RATED FOR 130A



NOTE: 120VAC SIGNAL GIVEN TO TERMINALS L1-L2 ENERGIZES SOLENOID, WHICH UNLOCKS SWITCH.  
 SWITCH IS LOCKED WHEN SOLENOID IS DE-ENERGIZED.

- NOTES:**
- ⚠ SWITCH CONTACTS ARE "MAKE-BEFORE-BREAK" CONTACTS MARKED "NORMAL" ARE CLOSED IN THE "NORMAL" POSITION. CONTACTS MARKED "TEST" ARE CLOSED IN THE "TEST" POSITION. CONTACTS MARKED "BYP" ARE CLOSED IN THE "BYPASS" POSITION.
  - ⚡ MAIN DISCONNECT AND BRANCH CIRCUIT PROTECTION PROVIDED BY OTHERS
  - ⚡ WIRE COLORS/SIZES ON WIRE LIST: XSR3-130-3SWG2-WL-0518

PART NUMBER  
**XSR3-130-3SWG2**

597 North 1250 West #1  
 Centerville, UT 84014  
 801-298-9087  
 www.upsbypass.com

DESCRIPTION  
 208/120V, 3PH, 3P, 50/60Hz  
 130A, ISOLATION TYPE BYPASS PANEL  
 SOLENOID LOCKOUT  
 24VAC/120VAC CONTROL CKT.  
 ELECTRICAL SCHEMATIC

DRAWN BY:  
 MFN  
 DATE:  
 05/22/18  
 APPROVAL:  
 D.U.  
 DATE:  
 05/22/18

REV.	DATE:	DESC.:	APPR.:
REV. A:			
REV. B:			
REV. C:			
REV. D:			
REV. D:			

DRAWING NO: XSR3-130-3SWG2-S-0518