



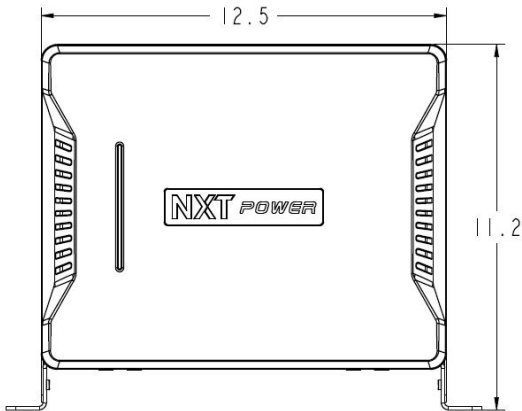
208/240 input VAC 60 Hz Power conditioner Product Specification (2000 VA) CASE 4

Model No.	NPT2000-X-NS
Part No.	11-00200-XX
Power Rating (VA)	2000
Input Voltage (AC)	208 or 240
Output Voltage (AC)	208/120
Output Current amps (per leg)	9.6
THD	<1% added
Overload rating (amps)	
8 milliseconds	110
1 Second	35
10 Seconds	22
Voltage regulation no load to full load	3%
BTU/hour at full load	205
Safety Listing / compliance	cULus / RoHS
Input Plug	See below
Output Receptacle	See below
Weight (Shipping) lbs	91.0

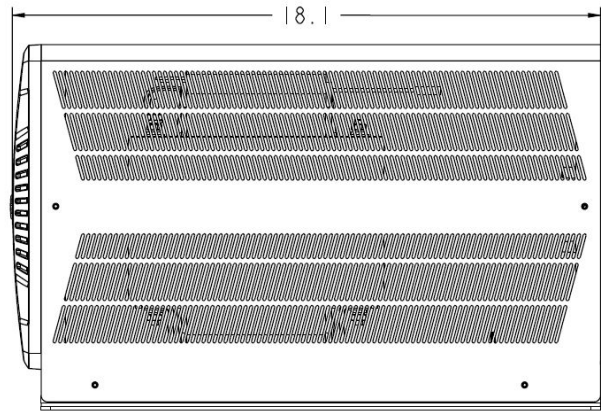
X = H Hard Wired input and output

NOISE ATTENUATION: When an ANSI/IEEE C62.41 Category A surge is applied in either common or normal mode to the input of the unit <10.0 V normal mode and <0.5 V common mode will be produced on the output. The product employs an isolation transformer and is a separately derived system. A new neutral to ground bond is established on the output of the power conditioner.

CASE 4 UNIT DIMENSIONS (In inches)



Front View



Side View

-XX = For part numbers use the below chart to configure the unit with the correct input voltage, plug and receptacle.

-01 = 208 VAC input 208/120 out, L14-30P, (1) L14-30R and (2) 5-20R duplex

-02 = 240 VAC input 208/120 out, L14-20P, (1) L14-20R and (2) 5-20R duplex

-03 = 208 VAC input 208/120 out, 14-30P, (1) L14-30R and (2) 5-20R duplex

-04 = 240 VAC input 208/120 out, 14-20P, (1) L14-20R and (2) 5-20R duplex

-05 = 208 VAC input 208/120 out, L6-30P, (1) L6-30R and (2) 5-20R duplex

-06 = 240 VAC input 208/120 out, L6-20P, (1) L6-20R and (2) 5-20R duplex

-07 = 208 VAC input 208/120 out, 6-30P, (1) L6-20R and (2) 5-20R duplex

-08 = 240 VAC input 208/120 out, 6-20P, (1) L6-20R and (2) 5-20R duplex

Warranty/Support: NXT POWER warrants its power conditioners to be free from defects in materials and workmanship for a period of five years from the date of shipment. For North American service or support on any NXT POWER product, please contact NXT POWER Technical Support at (877) NXT-POWER or (877) 698-7697 or visit the NXT POWER website at www.nxtpower.com.

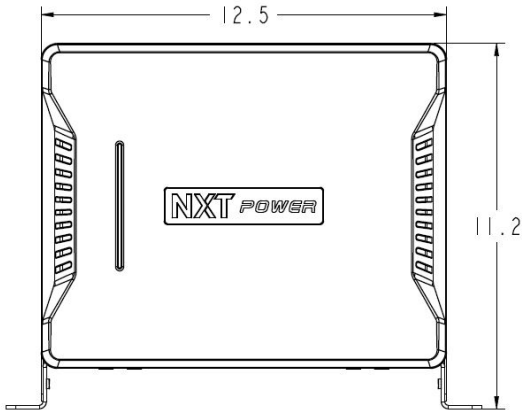


208/240 input VAC 60 Hz Power conditioner Product Specification (3500 VA) CASE 4

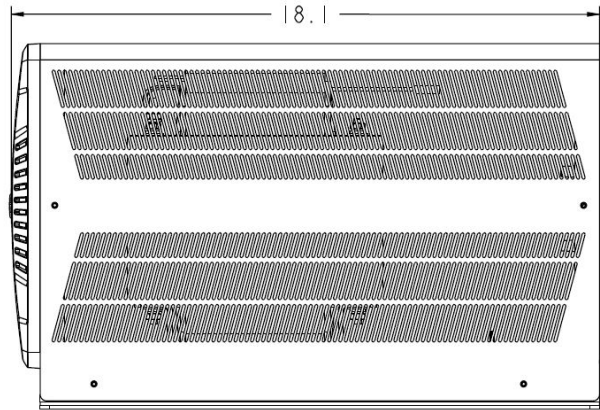
Model No.	NPT3500-NS
Part No.	11-00350-XX
Power Rating (VA)	3500
Input Voltage (AC)	208 or 240
Output Voltage (AC)	240/120
Output Current amps (per leg)	14.4
THD	<1% added
Overload rating (amps)	
8 milliseconds	200
1 Second	63
10 Seconds	40
Voltage regulation no load to full load	3%
BTU/hour at full load	359
Safety Listing / compliance	cULus / RoHS
Input Plug	See below
Output Receptacle	See below
Weight (Shipping) lbs	103.0

NOISE ATTENUATION: When an ANSI/IEEE C62.41 Category A surge is applied in either common or normal mode to the input of the unit <10.0 V normal mode and <0.5 V common mode will be produced on the output. The product employs an isolation transformer and is a separately derived system. A new neutral to ground bond is established on the output of the power conditioner.

CASE 4 UNIT DIMENSIONS (In inches)



Front View



Side View

-XX = For part numbers use the below chart to configure the unit with the correct input voltage, plug and receptacle.

- 01 = 208 VAC input 240/120 out, L14-30P, (1) L14-30R and (2) 5-20R duplex
- 02 = 240 VAC input 240/120 out, L14-20P, (1) L14-20R and (2) 5-20R duplex
- 03 = 208 VAC input 240/120 out, 14-30P, (1) L14-30R and (2) 5-20R duplex
- 04 = 240 VAC input 240/120 out, 14-20P, (1) L14-20R and (2) 5-20R duplex
- 05 = 208 VAC input 240/120 out, L6-30P, (1) L6-30R and (2) 5-20R duplex
- 06 = 240 VAC input 240/120 out, L6-20P, (1) L6-20R and (2) 5-20R duplex
- 07 = 208 VAC input 240/120 out, 6-30P, (1) L6-20R and (2) 5-20R duplex
- 08 = 240 VAC input 240/120 out, 6-20P, (1) L6-20R and (2) 5-20R duplex

Warranty/Support: NXT POWER warrants its power conditioners to be free from defects in materials and workmanship for a period of five years from the date of shipment. For North American service or support on any NXT POWER product, please contact NXT POWER Technical Support at (877) NXT-POWER or (877) 698-7697 or visit the NXT POWER website at www.nxtpower.com.

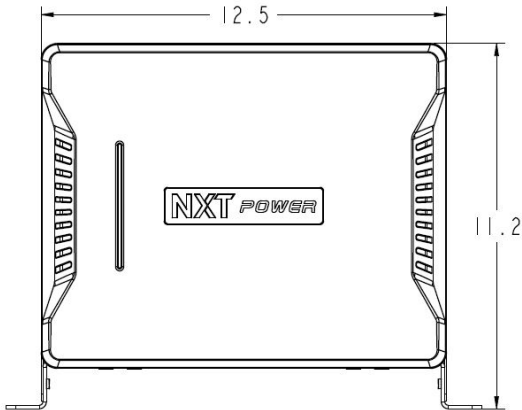


208/240 input VAC 60 Hz Power conditioner Product Specification (3800 VA) CASE 4

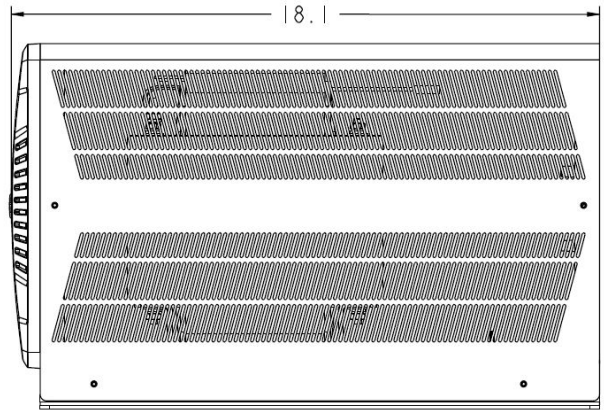
Model No.	NPT3800-NS
Part No.	11-00380-XX
Power Rating (VA)	3800
Input Voltage (AC)	208 or 240
Output Voltage (AC)	240/120
Output Current amps (per leg)	16.0
THD	<1% added
Overload rating (amps)	
8 milliseconds	220
1 Second	66
10 Seconds	44
Voltage regulation no load to full load	3%
BTU/hour at full load	389
Safety Listing / compliance	cULus / RoHS
Input Plug	See below
Output Receptacle	See below
Weight (Shipping) lbs	105.0

NOISE ATTENUATION: When an ANSI/IEEE C62.41 Category A surge is applied in either common or normal mode to the input of the unit <10.0 V normal mode and <0.5 V common mode will be produced on the output. The product employs an isolation transformer and is a separately derived system. A new neutral to ground bond is established on the output of the power conditioner.

CASE 4 UNIT DIMENSIONS (In inches)



Front View



Side View

-XX = For part numbers use the below chart to configure the unit with the correct input voltage, plug and receptacle.

-01 = 208 VAC input 240/120 out, L14-30P, (1) L14-30R and (2) 5-20R duplex

-02 = 240 VAC input 240/120 out, L14-30P, (1) L14-30R and (2) 5-20R duplex

-03 = 208 VAC input 240/120 out, 14-30P, (1) L14-30R and (2) 5-20R duplex

-04 = 240 VAC input 240/120 out, 14-30P, (1) L14-30R and (2) 5-20R duplex

-05 = 208 VAC input 240/120 out, L6-30P, (1) L6-30R and (2) 5-20R duplex

-06 = 240 VAC input 240/120 out, L6-30P, (1) L6-30R and (2) 5-20R duplex

-07 = 208 VAC input 240/120 out, 6-30P, (1) L6-30R and (2) 5-20R duplex

-08 = 240 VAC input 240/120 out, 6-30P, (1) L6-30R and (2) 5-20R duplex

Warranty/Support: NXT POWER warrants its power conditioners to be free from defects in materials and workmanship for a period of five years from the date of shipment. For North American service or support on any NXT POWER product, please contact NXT POWER Technical Support at (877) NXT-POWER or (877) 698-7697 or visit the NXT POWER website at www.nxtpower.com.

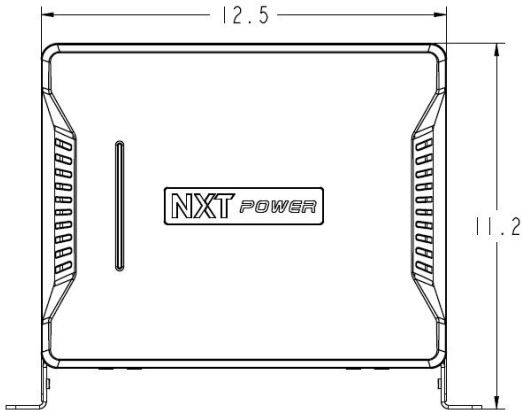


208/240 input VAC 60 Hz Power conditioner Product Specification (5000 VA) CASE 4

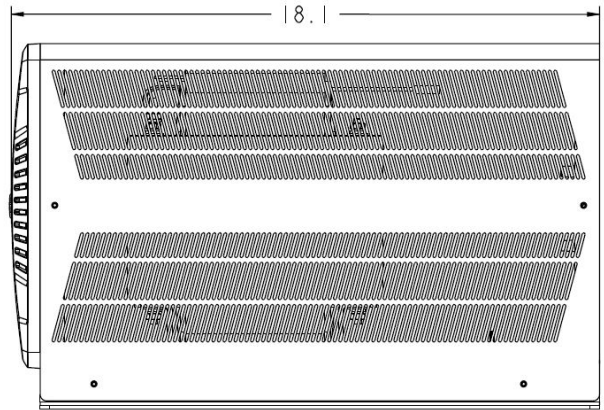
Model No.	NPT5000-NS
Part No.	11-00500-XX
Power Rating (VA)	5000
Input Voltage (AC)	208 or 240
Output Voltage (AC)	208/120
Output Current amps (per leg)	24.0
THD	<1% added
Overload rating (amps)	
8 milliseconds	275
1 Second	88
10 Seconds	55
Voltage regulation no load to full load	3%
BTU/hour at full load	512
Safety Listing / compliance	cULus / RoHS
Input Plug	See below
Output Receptacle	See below
Weight (Shipping) lbs	124.0

NOISE ATTENUATION: When an ANSI/IEEE C62.41 Category A surge is applied in either common or normal mode to the input of the unit <10.0 V normal mode and <0.5 V common mode will be produced on the output. The product employs an isolation transformer and is a separately derived system. A new neutral to ground bond is established on the output of the power conditioner.

CASE 4 UNIT DIMENSIONS (In inches)



Front View



Side View

-XX = For part numbers use the below chart to configure the unit with the correct input voltage, plug and receptacle.

-01 = 208 VAC input 208/120 out, L14-30P, (1) L14-30R and (2) 5-20R duplex

-02 = 240 VAC input 208/120 out, L14-30P, (1) L14-30R and (2) 5-20R duplex

-03 = 208 VAC input 208/120 out, 14-30P, (1) L14-30R and (2) 5-20R duplex

-04 = 240 VAC input 208/120 out, 14-30P, (1) L14-30R and (2) 5-20R duplex

-05 = 208 VAC input 208/120 out, L6-30P, (1) L6-30R and (2) 5-20R duplex

-06 = 240 VAC input 208/120 out, L6-30P, (1) L6-30R and (2) 5-20R duplex

-07 = 208 VAC input 208/120 out, 6-30P, (1) L6-30R and (2) 5-20R duplex

-08 = 240 VAC input 208/120 out, 6-30P, (1) L6-30R and (2) 5-20R duplex

Warranty/Support: NXT POWER warrants its power conditioners to be free from defects in materials and workmanship for a period of five years from the date of shipment. For North American service or support on any NXT POWER product, please contact NXT POWER Technical Support at (877) NXT-POWER or (877) 698-7697 or visit the NXT POWER website at www.nxtpower.com.

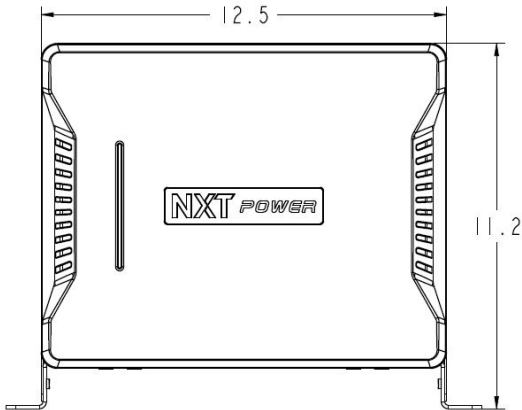


208/240 input VAC 60 Hz Power conditioner Product Specification (5800 VA) CASE 4

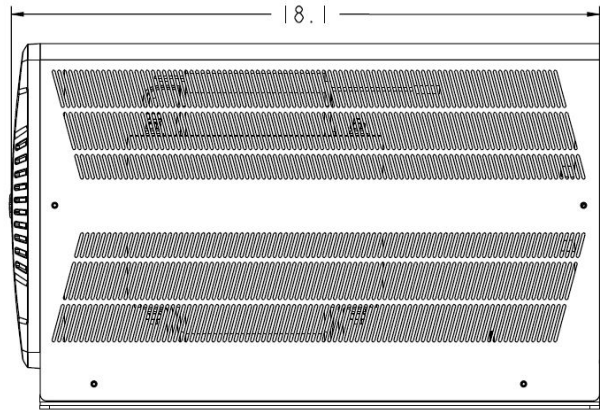
Model No.	NPT5800-NS
Part No.	11-00580-XX
Power Rating (VA)	5800
Input Voltage (AC)	208 or 240
Output Voltage (AC)	240/120
Output Current amps (per leg)	24.0
THD	<1% added
Overload rating (amps)	
8 milliseconds	330
1 Second	105
10 Seconds	66
Voltage regulation no load to full load	3%
BTU/hour at full load	594
Safety Listing / compliance	cULus / RoHS
Input Plug	See below
Output Receptacle	See below
Weight (Shipping) lbs	124.0

NOISE ATTENUATION: When an ANSI/IEEE C62.41 Category A surge is applied in either common or normal mode to the input of the unit <10.0 V normal mode and <0.5 V common mode will be produced on the output. The product employs an isolation transformer and is a separately derived system. A new neutral to ground bond is established on the output of the power conditioner.

CASE 4 UNIT DIMENSIONS (In inches)



Front View



Side View

-XX = For part numbers use the below chart to configure the unit with the correct input voltage, plug and receptacle.

-01 = 208 VAC input 240/120 out, L14-50P, (1) L14-30R and (2) 5-20R duplex

-02 = 240 VAC input 240/120 out, L14-50P, (1) L14-30R and (2) 5-20R duplex

-03 = 208 VAC input 240/120 out, 6-50P, (1) L14-30R and (2) 5-20R duplex

-04 = 240 VAC input 240/120 out, L6-50P, (1) L6-30R and (2) 5-20R duplex

-05 = 240 VAC input 240/120 out, 6-50P, (1) L6-30R and (2) 5-20R duplex

Warranty/Support: NXT POWER warrants its power conditioners to be free from defects in materials and workmanship for a period of five years from the date of shipment. For North American service or support on any NXT POWER product, please contact NXT POWER Technical Support at (877) NXT-POWER or (877) 698-7697 or visit the NXT POWER website at www.nxtpower.com.

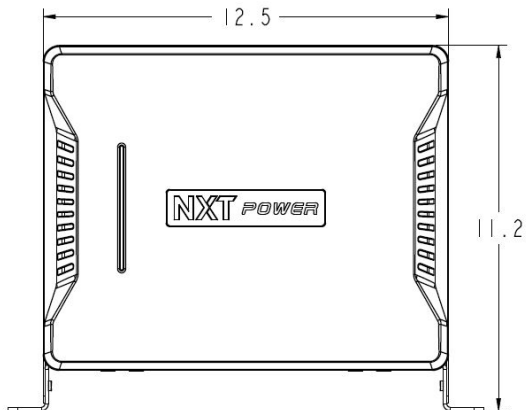


208/240 input VAC 60 Hz Power conditioner Product Specification (6000 VA) CASE 4

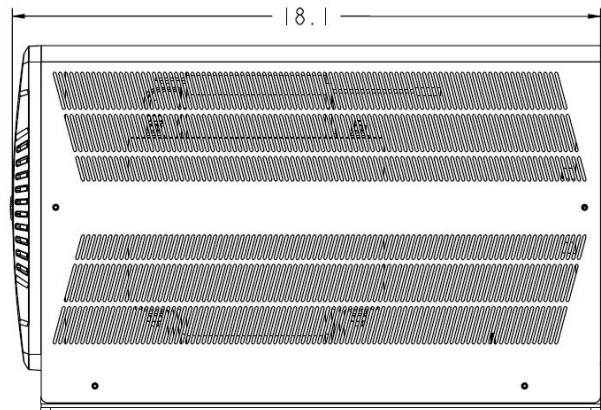
Model No.	NPT6000-H-NS
Part No.	11-00600-XX
Power Rating (VA)	6000
Input Voltage (AC)	208 or 240
Output Voltage (AC)	208, 240/120
Output Current amps (per leg)	29
THD	<1% added
Overload rating (amps)	
8 milliseconds	330
1 Second	105
10 Seconds	66
Voltage regulation no load to full load	3%
BTU/hour at full load	594
Safety Listing / compliance	cULus / RoHS
Input Plug	See below
Output Receptacle	See below
Weight (Shipping) lbs	144.0

NOISE ATTENUATION: When an ANSI/IEEE C62.41 Category A surge is applied in either common or normal mode to the input of the unit <10.0 V normal mode and <0.5 V common mode will be produced on the output. The product employs an isolation transformer and is a separately derived system. A new neutral to ground bond is established on the output of the power conditioner.

CASE 4 UNIT DIMENSIONS (In inches)



Front View



Side View

-XX = For part numbers use the below chart to configure the unit with the correct input voltage, plug and receptacle.

-01 = 208 VAC input 208, 240/120 out Hard Wired

-02 = 240 VAC input 208, 240/120 out Hard Wired

Warranty/Support: NXT POWER warrants its power conditioners to be free from defects in materials and workmanship for a period of five years from the date of shipment. For North American service or support on any NXT POWER product, please contact NXT POWER Technical Support at (877) NXT-POWER or (877) 698-7697 or visit the NXT POWER website at www.nxtpower.com.

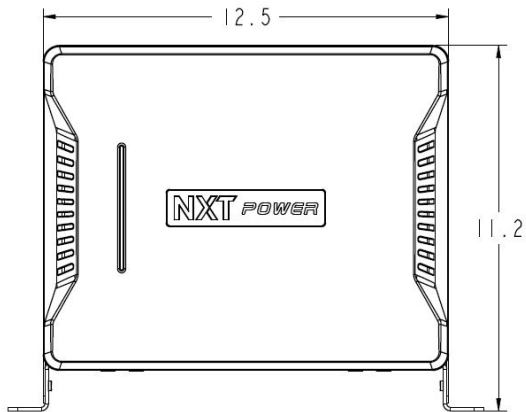


240 input VAC 60 Hz Power conditioner Product Specification (7000 VA) CASE 4

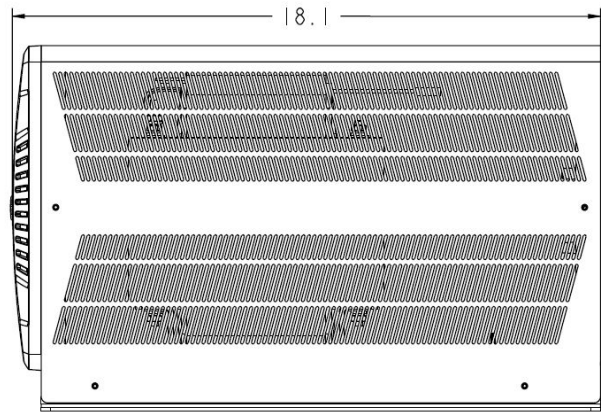
Model No.	NPT7000-H-NS
Part No.	11-00700-XX
Power Rating (VA)	7000
Input Voltage (AC)	240
Output Voltage (AC)	240/120
Output Current amps (per leg)	29
THD	<1% added
Overload rating (amps)	
8 milliseconds	330
1 Second	105
10 Seconds	66
Voltage regulation no load to full load	3%
BTU/hour at full load	716
Safety Listing / compliance	cULus / RoHS
Input Plug	See below
Output Receptacle	See below
Weight (Shipping) lbs	143.75

NOISE ATTENUATION: When an ANSI/IEEE C62.41 Category A surge is applied in either common or normal mode to the input of the unit <10.0 V normal mode and <0.5 V common mode will be produced on the output. The product employs an isolation transformer and is a separately derived system. A new neutral to ground bond is established on the output of the power conditioner.

CASE 4 UNIT DIMENSIONS (In inches)



Front View



Side View

-XX = For part numbers use the below chart to configure the unit with the correct input voltage, plug and receptacle.

-01 = 240 VAC input 240/120 out Hard Wired

Warranty/Support: NXT POWER warrants its power conditioners to be free from defects in materials and workmanship for a period of five years from the date of shipment. For North American service or support on any NXT POWER product, please contact NXT POWER Technical Support at (877) NXT-POWER or (877) 698-7697 or visit the NXT POWER website at www.nxtpower.com.