



# THREE-PHASE POWER CONDITIONER SPECIFICATION BOOK

For use with 3-phase VAC 60 Hz systems



208, 240, or 480VAC 3-phase Delta in 208/120, 480/277 or 400/230 out 60Hz

Model No: NPT 85.0,100.0,125.0,150.0



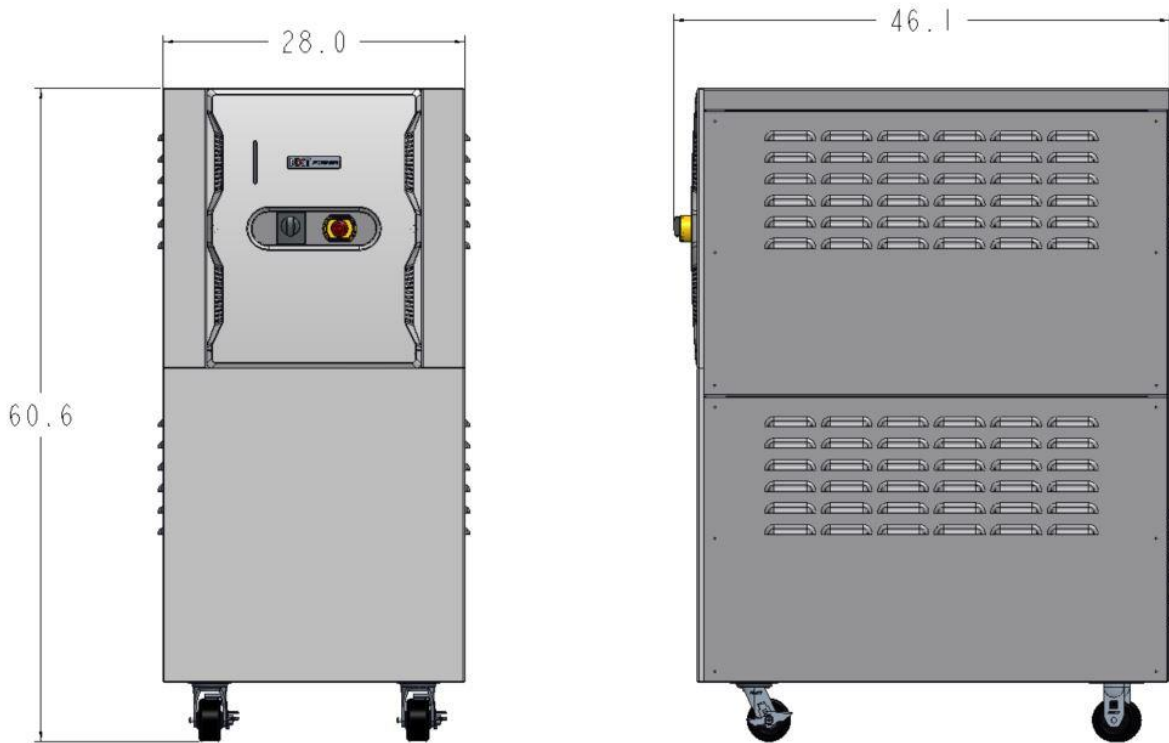
## Integrity 3-phase Power Conditioner Specification

### Model: NPT85.0-H-N(480-400/230)

<b>Input Voltage</b>	480 VAC 3-phase delta connection
<b>Output Voltage</b>	400/230 3-phase wye
<b>Frequency</b>	60 Hz.
<b>Full load Capacity</b>	85 kVA
<b>Output BTU at full load</b>	5,800 per hour
<b>Efficiency</b>	>98% at full load
<b>Surge Filtering</b>	ATTENUATION: When an ANSI/IEEE C62.41 Category A surge is applied in either normal or common mode to the input of the unit <10.0 V normal mode and <0.5 V common mode will be produced on the output. The product employs an isolation transformer and is a separately derived system. A new neutral to ground bond is established on the output of the power conditioner.
<b>Withstand Voltage</b>	Power conditioner tested to withstand up to 6000 volts at 3000 amps uni-polar and ring-wave surge.
<b>Transformer Construction</b>	Transformer wires are aluminum and insulated with Class R materials. Windings is insulated with nomex paper before varnishing. Transformer Internal wiring is rated for a minimum of 200 degree C sleeved with Class R materials. Unit is RoHS compliant.
<b>Unit Size H x W x D - inches (mm.)</b>	60.6 x 28.0 x 46.1 (1,540 x 711 x 1,171)
<b>Unit weight in lbs. (kg.)</b>	1,450 (658)



## Integrity 3-phase Power Conditioner Specification



Input Voltage 3-Phase	Full Load Input Current	Supply Breaker Rating	Current Interrupt Capacity of Input Circuit Breaker	Minimum Input Wire Size	Maximum Input Wire Size	Output Voltage 3-Phase Wye	Maximum Output Current	Minimum output WireSize	Maximum output Wire Size
480	105	125	25 kA	2/0 awg	4/0 awg	400/230	123	2/0 awg	4/0 awg



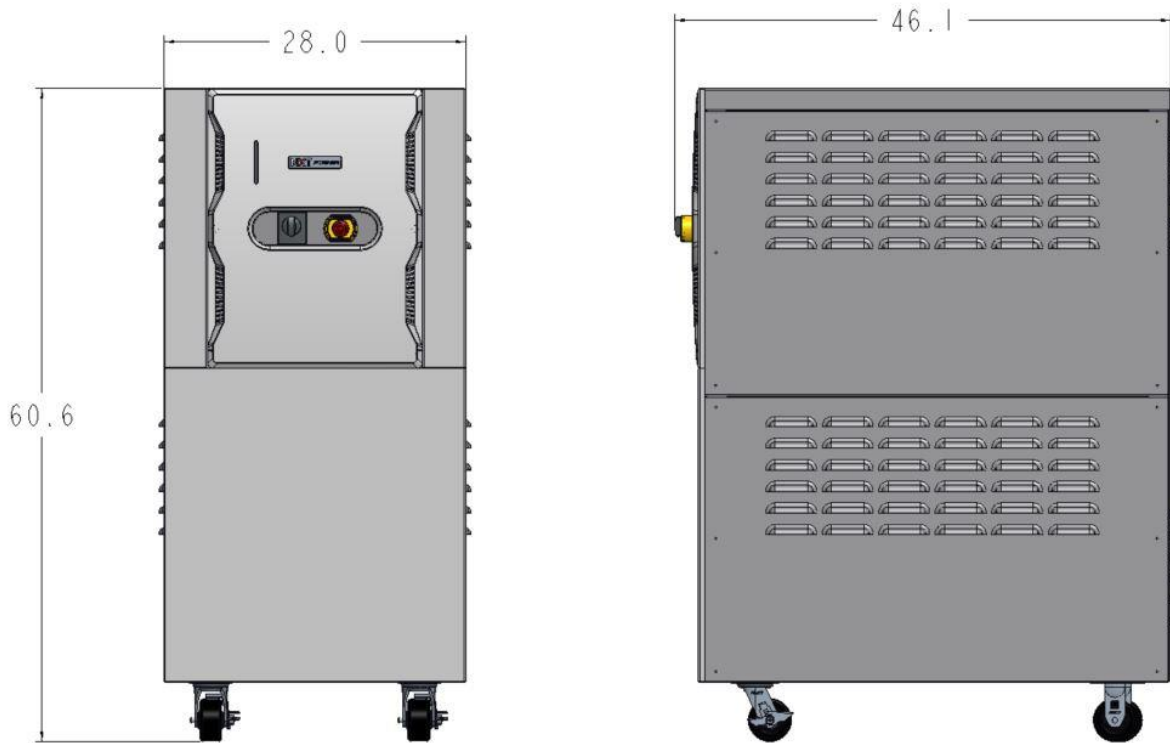
## Integrity 3-phase Power Conditioner Specification

### Model: NPT85.0-H-N(480-480/277)

<b>Input Voltage</b>	480 VAC 3-phase delta connection
<b>Output Voltage</b>	480/277 3-phase wye
<b>Frequency</b>	60 Hz.
<b>Full load Capacity</b>	85 kVA
<b>Output BTU at full load</b>	5,800 per hour
<b>Efficiency</b>	>98% at full load
<b>Surge Filtering</b>	ATTENUATION: When an ANSI/IEEE C62.41 Category A surge is applied in either normal or common mode to the input of the unit <10.0 V normal mode and <0.5 V common mode will be produced on the output. The product employs an isolation transformer and is a separately derived system. A new neutral to ground bond is established on the output of the power conditioner.
<b>Withstand Voltage</b>	Power conditioner tested to withstand up to 6000 volts at 3000 amps uni-polar and ring-wave surge.
<b>Transformer Construction</b>	Transformer wires are aluminum and insulated with Class R materials. Windings is insulated with nomex paper before varnishing. Transformer Internal wiring is rated for a minimum of 200 degree C sleeved with Class R materials. Unit is RoHS compliant.
<b>Unit Size H x W x D - inches (mm.)</b>	60.6 x 28.0 x 46.1 (1,540 x 711 x 1,171)
<b>Unit weight in lbs. (kg.)</b>	1,450 (658)



## Integrity 3-phase Power Conditioner Specification



Input Voltage 3-Phase	Full Load Input Current	Supply Breaker Rating	Current Interrupt Capacity of Input Circuit Breaker	Minimum Input Wire Size	Maximum Input Wire Size	Output Voltage 3-Phase Wye	Maximum Output Current	Minimum output WireSize	Maximum output Wire Size
480	105	125	25 kA	2/0 awg	4/0 awg	480/277	102	3/0 awg	4/0 awg



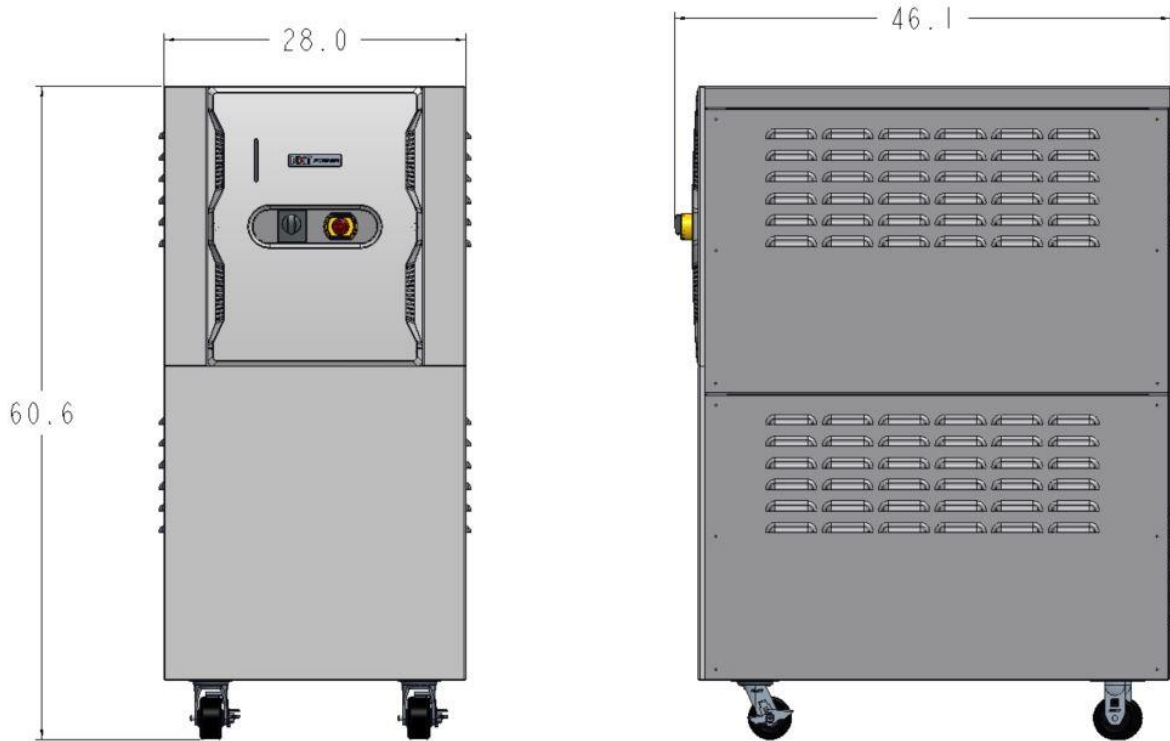
## Integrity 3-phase Power Conditioner Specification

### Model: NPT100.0-H-N(480-400/230)

<b>Input Voltage</b>	480 VAC 3-phase delta connection
<b>Output Voltage</b>	400/230 3-phase wye
<b>Frequency</b>	60 Hz.
<b>Full load Capacity</b>	100 kVA
<b>Output BTU at full load</b>	6,850 per hour
<b>Efficiency</b>	>98% at full load
<b>Surge Filtering</b>	ATTENUATION: When an ANSI/IEEE C62.41 Category A surge is applied in either normal or common mode to the input of the unit <10.0 V normal mode and <0.5 V common mode will be produced on the output. The product employs an isolation transformer and is a separately derived system. A new neutral to ground bond is established on the output of the power conditioner.
<b>Withstand Voltage</b>	Power conditioner tested to withstand up to 6000 volts at 3000 amps uni-polar and ring-wave surge.
<b>Transformer Construction</b>	Transformer wires are aluminum and insulated with Class R materials. Windings is insulated with nomex paper before varnishing. Transformer Internal wiring is rated for a minimum of 200 degree C sleeved with Class R materials. Unit is RoHS compliant.
<b>Unit Size H x W x D - inches (mm.)</b>	60.6 x 28.0 x 46.1 (1,540 x 711 x 1,171)
<b>Unit weight in lbs. (kg.)</b>	1,650 (750)



## Integrity 3-phase Power Conditioner Specification



Input Voltage 3-Phase	Full Load Input Current	Supply Breaker Rating	Current Interrupt Capacity of Input Circuit Breaker	Minimum Input Wire Size	Maximum Input Wire Size	Output Voltage 3-Phase Wye	Maximum Output Current	Minimum output WireSize	Maximum output Wire Size
480	124	150	25 kA	3/0 awg	250 kcmil	400/230	145	3/0 awg	250 kcmil



## Integrity 3-phase Power Conditioner Specification

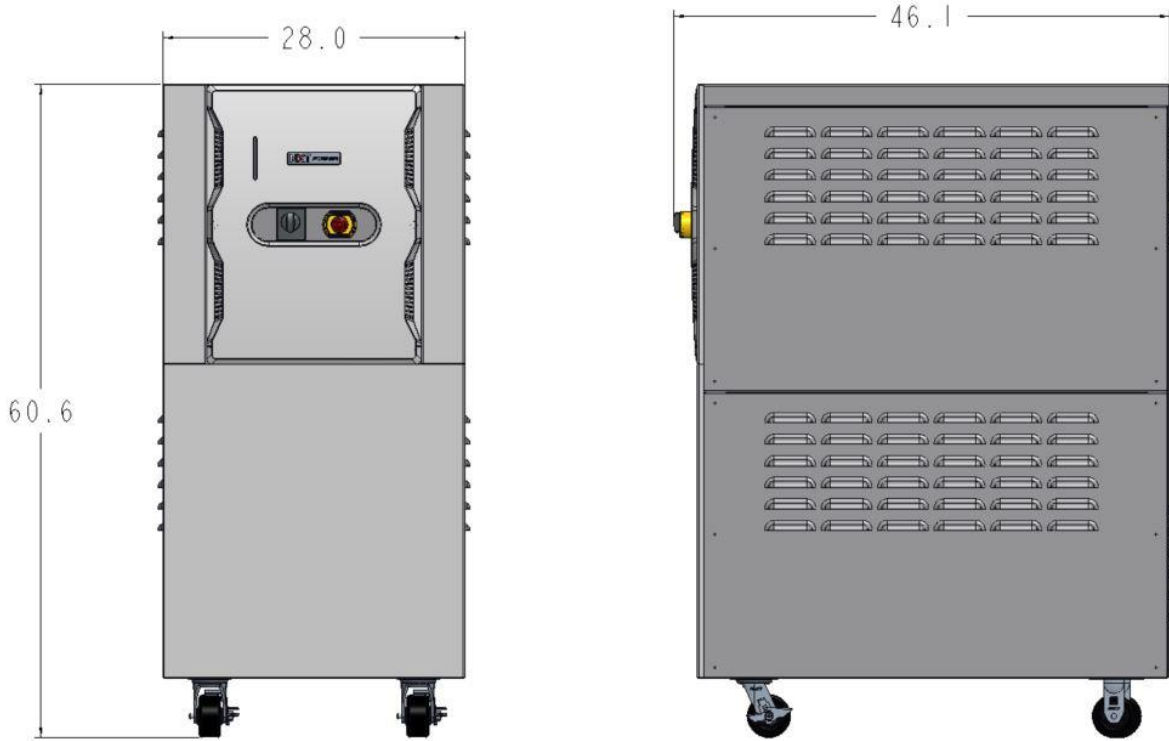
### Model: NPT100.0-H-N(480-480/277)

<b>Input Voltage</b>	480 VAC 3-phase delta connection
<b>Output Voltage</b>	480/277 3-phase wye
<b>Frequency</b>	60 Hz.
<b>Full load Capacity</b>	100 kVA
<b>Output BTU at full load</b>	6,850 per hour
<b>Efficiency</b>	>98% at full load
<b>Surge Filtering</b>	ATTENUATION: When an ANSI/IEEE C62.41 Category A surge is applied in either normal or common mode to the input of the unit <10.0 V normal mode and <0.5 V common mode will be produced on the output. The product employs an isolation transformer and is a separately derived system. A new neutral to ground bond is established on the output of the power conditioner.
<b>Withstand Voltage</b>	Power conditioner tested to withstand up to 6000 volts at 3000 amps uni-polar and ring-wave surge.
<b>Transformer Construction</b>	Transformer wires are aluminum and insulated with Class R materials. Windings is insulated with nomex paper before varnishing. Transformer Internal wiring is rated for a minimum of 200 degree C sleeved with Class R materials. Unit is RoHS compliant.
<b>Unit Size H x W x D - inches (mm.)</b>	60.6 x 28.0 x 46.1 (1,540 x 711 x 1,171)
<b>Unit weight in lbs. (kg.)</b>	1,650 (750)





## Integrity 3-phase Power Conditioner Specification



Input Voltage 3-Phase	Full Load Input Current	Supply Breaker Rating	Current Interrupt Capacity of Input Circuit Breaker	Minimum Input Wire Size	Maximum Input Wire Size	Output Voltage 3-Phase Wye	Maximum Output Current	Minimum output WireSize	Maximum output Wire Size
480	124	150	25 kA	1/0 awg	250 kcmil	480/277	120	1/0 awg	250 kcmil



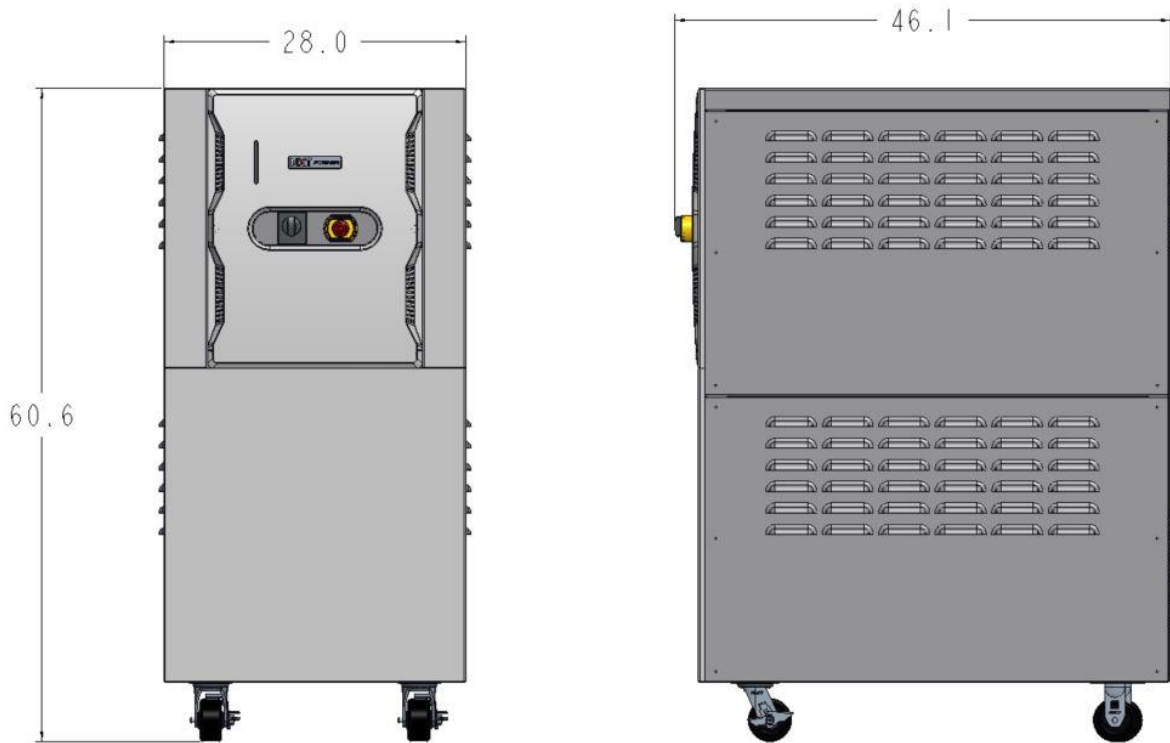
## Integrity 3-phase Power Conditioner Specification

### Model: NPT125.0-H-N(480-400/230)

<b>Input Voltage</b>	480 VAC 3-phase delta connection
<b>Output Voltage</b>	400/230 3-phase wye
<b>Frequency</b>	60 Hz.
<b>Full load Capacity</b>	125 kVA
<b>Output BTU at full load</b>	7,650 per hour
<b>Efficiency</b>	>98% at full load
<b>Surge Filtering</b>	ATTENUATION: When an ANSI/IEEE C62.41 Category A surge is applied in either normal or common mode to the input of the unit <10.0 V normal mode and <0.5 V common mode will be produced on the output. The product employs an isolation transformer and is a separately derived system. A new neutral to ground bond is established on the output of the power conditioner.
<b>Withstand Voltage</b>	Power conditioner tested to withstand up to 6000 volts at 3000 amps uni-polar and ring-wave surge.
<b>Transformer Construction</b>	Transformer wires are aluminum and insulated with Class R materials. Windings is insulated with nomex paper before varnishing. Transformer Internal wiring is rated for a minimum of 200 degree C sleeved with Class R materials. Unit is RoHS compliant.
<b>Unit Size H x W x D - inches (mm.)</b>	60.6 x 28.0 x 46.1 (1,540 x 711 x 1,171)
<b>Unit weight in lbs. (kg.)</b>	1,500 (680)



## Integrity 3-phase Power Conditioner Specification



Input Voltage 3-Phase	Full Load Input Current	Supply Breaker Rating	Current Interrupt Capacity of Input Circuit Breaker	Minimum Input Wire Size	Maximum Input Wire Size	Output Voltage 3-Phase Wye	Maximum Output Current	Minimum output Wire Size	Maximum output Wire Size
480	155	175	25 kA	3/0 awg	250 kcmil	400/230	181	1/0 awg	250 kcmil



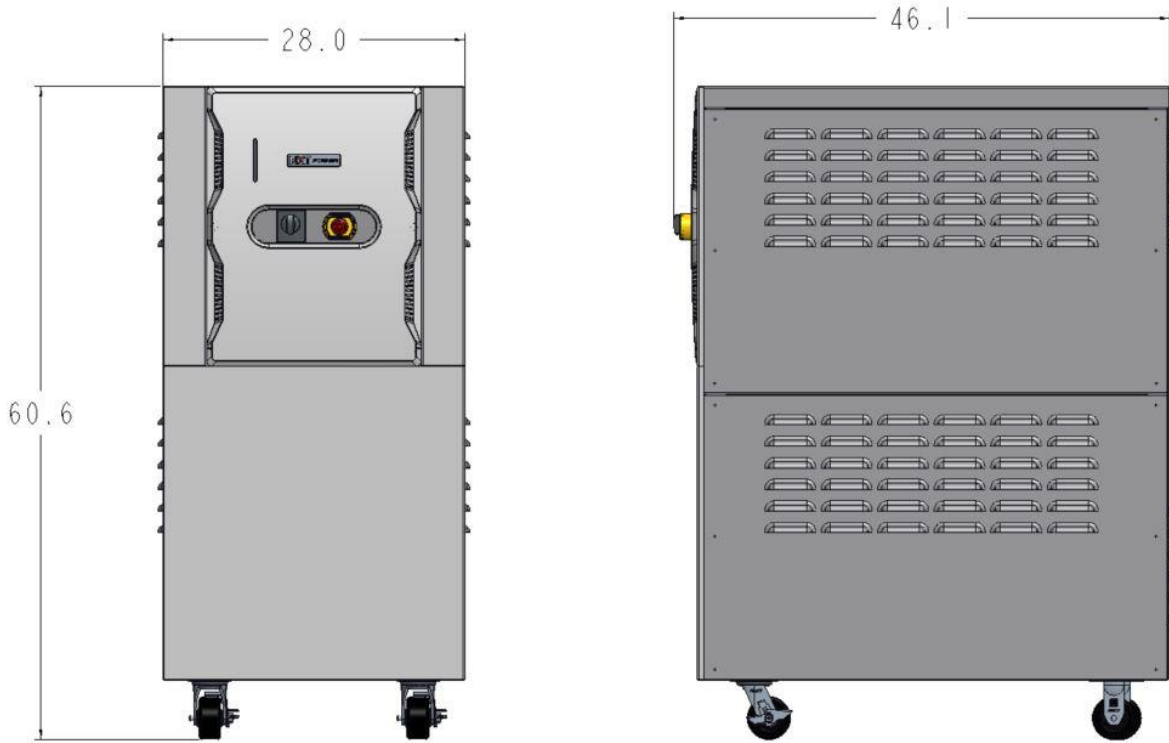
## Integrity 3-phase Power Conditioner Specification

### Model: NPT125.0-H-N(480-480/277)

<b>Input Voltage</b>	480 VAC 3-phase delta connection
<b>Output Voltage</b>	480/277 3-phase wye
<b>Frequency</b>	60 Hz.
<b>Full load Capacity</b>	125 kVA
<b>Output BTU at full load</b>	7,650 per hour
<b>Efficiency</b>	>98% at full load
<b>Surge Filtering</b>	ATTENUATION: When an ANSI/IEEE C62.41 Category A surge is applied in either normal or common mode to the input of the unit <10.0 V normal mode and <0.5 V common mode will be produced on the output. The product employs an isolation transformer and is a separately derived system. A new neutral to ground bond is established on the output of the power conditioner.
<b>Withstand Voltage</b>	Power conditioner tested to withstand up to 6000 volts at 3000 amps uni-polar and ring-wave surge.
<b>Transformer Construction</b>	Transformer wires are aluminum and insulated with Class R materials. Windings is insulated with nomex paper before varnishing. Transformer Internal wiring is rated for a minimum of 200 degree C sleeved with Class R materials. Unit is RoHS compliant.
<b>Unit Size H x W x D - inches (mm.)</b>	60.6 x 28.0 x 46.1 (1,540 x 711 x 1,171)
<b>Unit weight in lbs. (kg.)</b>	1,500 (680)



## Integrity 3-phase Power Conditioner Specification



Input Voltage 3-Phase	Full Load Input Current	Supply Breaker Rating	Current Interrupt Capacity of Input Circuit Breaker	Minimum Input Wire Size	Maximum Input Wire Size	Output Voltage 3-Phase Wye	Maximum Output Current	Minimum output Wire Size	Maximum output Wire Size
480	155	175	25 kA	3/0 awg	250 kcmil	480/277	151	1/0 awg	250 kcmil



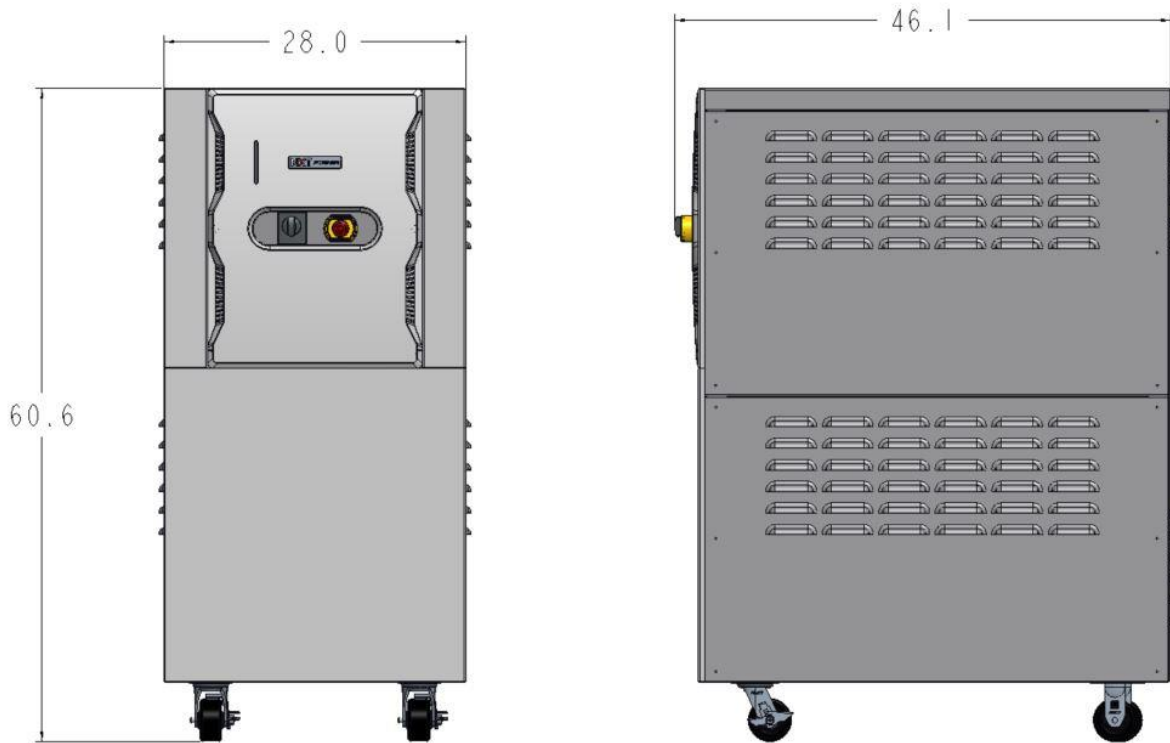
## Integrity 3-phase Power Conditioner Specification

### Model: NPT150.0-H-N(480-400/230)

<b>Input Voltage</b>	480 VAC 3-phase delta connection
<b>Output Voltage</b>	400/230 3-phase wye
<b>Frequency</b>	60 Hz.
<b>Full load Capacity</b>	150 kVA
<b>Output BTU at full load</b>	10,200 per hour
<b>Efficiency</b>	>98% at full load
<b>Surge Filtering</b>	ATTENUATION: When an ANSI/IEEE C62.41 Category A surge is applied in either normal or common mode to the input of the unit <10.0 V normal mode and <0.5 V common mode will be produced on the output. The product employs an isolation transformer and is a separately derived system. A new neutral to ground bond is established on the output of the power conditioner.
<b>Withstand Voltage</b>	Power conditioner tested to withstand up to 6000 volts at 3000 amps uni-polar and ring-wave surge.
<b>Transformer Construction</b>	Transformer wires are aluminum and insulated with Class R materials. Windings is insulated with nomex paper before varnishing. Transformer Internal wiring is rated for a minimum of 200 degree C sleeved with Class R materials. Unit is RoHS compliant.
<b>Unit Size H x W x D - inches (mm.)</b>	60.6 x 28.0 x 46.1 (1,540 x 711 x 1,171)
<b>Unit weight in lbs. (kg.)</b>	1,400 (635)



## Integrity 3-phase Power Conditioner Specification



Input Voltage 3-Phase	Full Load Input Current	Supply Breaker Rating	Current Interrupt Capacity of Input Circuit Breaker	Minimum Input Wire Size	Maximum Input Wire Size	Output Voltage 3-Phase Wye	Maximum Output Current	Minimum output Wire Size	Maximum output Wire Size
480	186	200	25 kA	4/0 awg	300 kcmil	400/230	217	3/0 awg	300 kcmil



## Integrity 3-phase Power Conditioner Specification

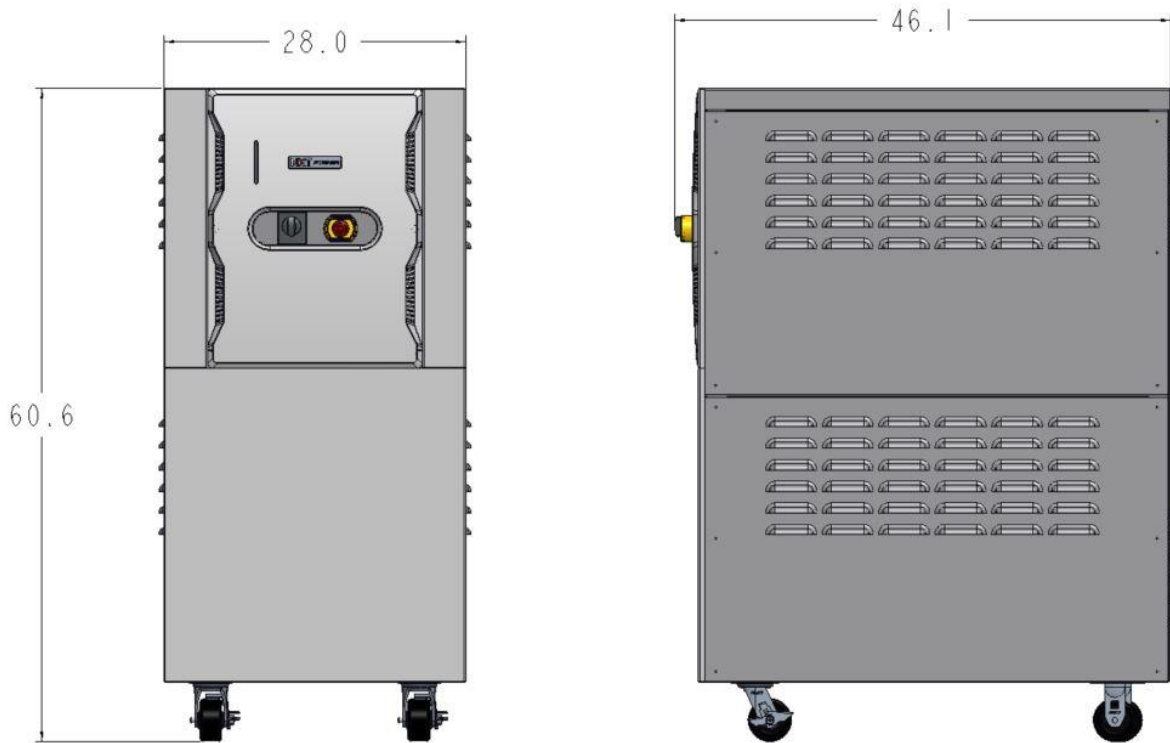
### Model: NPT150.0-H-N(480-480/277)

<b>Input Voltage</b>	480 VAC 3-phase delta connection
<b>Output Voltage</b>	480/277 3-phase wye
<b>Frequency</b>	60 Hz.
<b>Full load Capacity</b>	150 kVA
<b>Output BTU at full load</b>	10,200 per hour
<b>Efficiency</b>	>98% at full load
<b>Surge Filtering</b>	ATTENUATION: When an ANSI/IEEE C62.41 Category A surge is applied in either normal or common mode to the input of the unit <10.0 V normal mode and <0.5 V common mode will be produced on the output. The product employs an isolation transformer and is a separately derived system. A new neutral to ground bond is established on the output of the power conditioner.
<b>Withstand Voltage</b>	Power conditioner tested to withstand up to 6000 volts at 3000 amps uni-polar and ring-wave surge.
<b>Transformer Construction</b>	Transformer wires are aluminum and insulated with Class R materials. Windings is insulated with nomex paper before varnishing. Transformer Internal wiring is rated for a minimum of 200 degree C sleeved with Class R materials. Unit is RoHS compliant.
<b>Unit Size H x W x D - inches (mm.)</b>	60.6 x 28.0 x 46.1 (1,540 x 711 x 1,171)
<b>Unit weight in lbs. (kg.)</b>	1,400 (635)





## Integrity 3-phase Power Conditioner Specification



Input Voltage 3-Phase	Full Load Input Current	Supply Breaker Rating	Current Interrupt Capacity of Input Circuit Breaker	Minimum Input Wire Size	Maximum Input Wire Size	Output Voltage 3-Phase Wye	Maximum Output Current	Minimum output Wire Size	Maximum output Wire Size
480	186	200	25 kA	4/0 awg	300 kcmil	400/230	181	3/0 awg	300 kcmil